



# Site Consumables Catalog



Creating Tomorrow's Solutions. Today.

# Table of Contents

## Hanger Solutions, Page 1-18



Polymer Hangers & Adapters,  
Page 1



SST Hangers & Adapters,  
Page 9



Acetal Banding & Adapters,  
Page 14



Hoisting Grips,  
Page 14



Speciality Tapes,  
Page 18

## Entry Port Solutions, Page 19-23



Entry Ports,  
Page 19



Boot Assemblies,  
Page 21



Cushion Inserts,  
Page 22

## Grounding Solutions, Page 24-31



Standard Grounding Kits,  
Page 24



Elipctial & Univeral Grounding Kits,  
Page 25



2" Buss Bars,  
Page 26

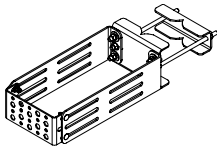


4" Buss Bars,  
Page 28

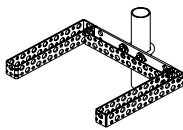


Buss Bar Hardware Kits,  
Page 31

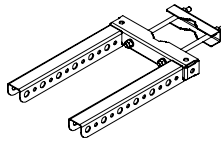
## RRU and Cable Supports, Page 33-38



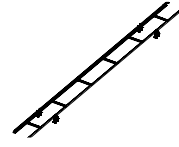
RRU Supports,  
Page 33



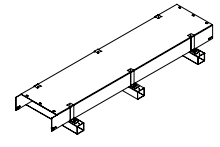
Alpha Bracket,  
Page 34



Cable Support Brackets,  
Page 36

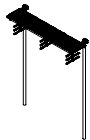


Cable Ladder,  
Page 37

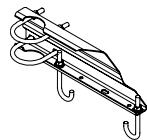


Roof-Top Bridge Kits,  
Page 38

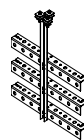
## Waveguide Bridge, Page 39-41



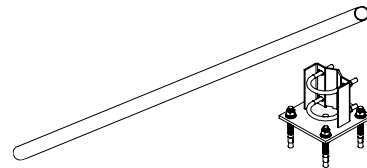
Bridge Kits,  
Page 39



Bridge Supports,  
Page 40

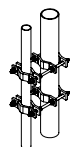


Trapeze Kits,  
Page 41

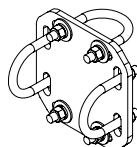


Bridge Posts,  
Page 41

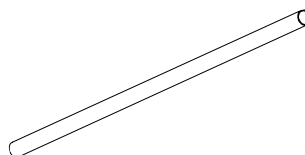
## Antenna Mounting Components, Page 42-52



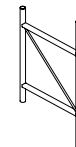
Pipe Clamps,  
Page 42



Crossover Plates,  
Page 44



Pipes,  
Page 48

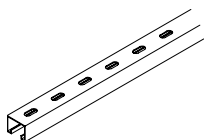


Standoff Mounts,  
Page 49

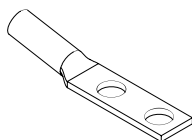


Roof Top Mounts,  
Page 50

## Site Related Products, Page 42-52



Square Rails,  
Page 54



Ground Lugs,  
Page 55

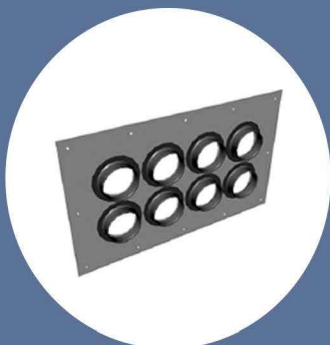
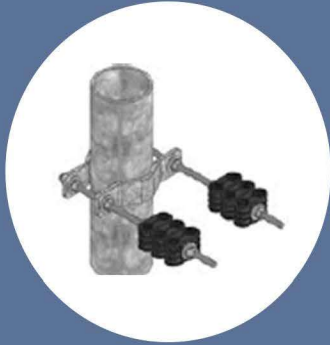


Threaded Rod,  
Page 56



U-Bolt Assemblies,  
Page 57

# Cable Accessories



## Hanger Solutions

### SnapTak Adjustable Hanger



**Application:** Cable Support  
**Size:** 4mm to 16.0mm  
**Design:** Molded Polymer  
**Feature:** Self Adjusting and Variable Diameter  
**Mounts from:** 3/4" Holes  
**Material:** Engineered Plastic  
**Includes:** Hangers  
**Order Separately:** Adapters



Part #	Description	Kit Qty	Wt. Lbs (Wt. Kg)
SSH47-TTC	SnapTak Adjustable Hanger, Polymer Snap In, 4.0mm to 7.0mm	Kit of 10	0.16 (0.07)
SSH710-TTC	SnapTak Adjustable Hanger, Polymer Snap In, 7.1mm to 10.0mm	Kit of 10	0.1 (0.04)
SSH1014-TTC	SnapTak Adjustable Hanger, Polymer Snap In, 10.1mm to 14.0mm	Kit of 10	0.13 (0.06)
SSH1416-TTC	SnapTak Adjustable Hanger, Polymer Snap In, (14.1mm to 16.0mm) 1/2" Jumpers	Kit of 10	0.15 (0.07)

\*Patented Product

### Snap-in Hanger Adapter



**Application:** Cable Support  
**Design:** Molded Polymer  
**Feature:** Dual Banding Attachment  
**Material:** Engineered Plastic  
**Includes:** Adapter  
**Order Separately:** Acetal Banding, SnapTak Adjustable Hangers



Part #	Description	Kit Qty	Wt. Lbs (Wt. Kg)
SA1C-TTC	Polymer Snap-in Hanger Adapter, 3/4" Hole	Kit of 10	0.27 (0.12)

\*Patented Product

### SnapTak Multifunction Adapter



**Application:** Cable Support  
**Design:** Molded Polymer  
**Feature:** 360° Rotation, Universal Mounting  
**Mounts from:** 3/4" Holes, 3/8" or 1/2" Bolts  
**Material:** Engineered Plastic  
**Includes:** Multifunction Adapter  
**Order Separately:** SnapTak Plus Hanger



Part #	Description	Kit Qty	Wt. Lbs (Wt. Kg)
SA1TR-TTC	PIM-free Multifunction Polymer Adapter for SnapTak Hangers	Kit of 10	0.15 (0.07)

\*Patented Product

### SnapStak® PIM Isolators



**Application:** Cable Support  
**Design:** Molded Polymer  
**Feature:** Eliminates Metal to Metal Contact  
**Mounts from:** 3/4" Holes  
**Material:** Engineered Plastic  
**Includes:** Isolator  
**Order Separately:** Snap-In Hangers



Part #	Description	Kit Qty	Wt. Lbs (Wt. Kg)
SAISO-TTC	SnapStak® PIM Isolator	Kit of 10	0.15 (0.07)

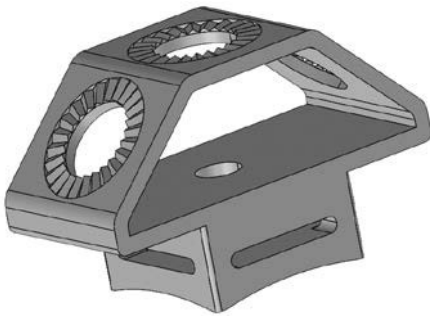
\*Patent Pending

## Hanger Solutions

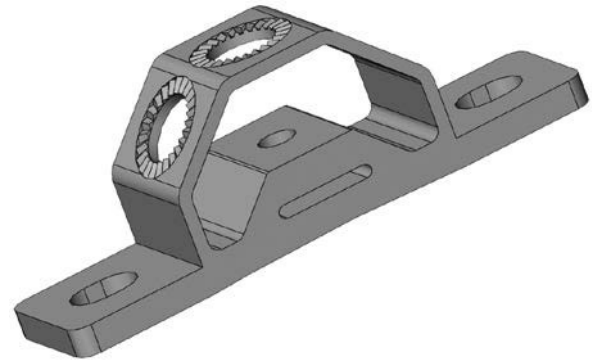
### 3-Way Standoff Adapter



**Application:** Cable Support  
**Design:** Molded Polymer  
**Feature:** U-Bolt or Acetal Banding Attachment  
**Material:** Engineered Plastic  
**Includes:** Adapter  
**Order Separately:** Acetal Banding, U-Bolts



### Universal 3-Way Standoff Adapter



Part #	Description	Kit Qty	Wt. Lbs (Wt. Kg)
SA38UP-TTC	Universal 3-Way Standoff Adapter	Kit of 10	1.31 (0.59)

Part #	Description	Kit Qty	Wt. Lbs (Wt. Kg)
SA38UMP-TTC	Universal 3-Way Standoff Adapter with U-bolt Mounting Capability	Kit of 1	2.19 (0.99)



Part #	Description	Kit Qty	Wt. Lbs (Wt. Kg)
SA3C-TTC	PIM-free Composite Snap-in Hanger Adapter	Kit of 10	1.21 (0.55)

\*Patented Product

## Hanger Solutions

### Polymer Angle Adapter



**Application:** Cable Support  
**Size:** 3/4" Holes  
**Design:** Molded Polymer  
**Feature:** Accepts Snap-Ins  
**Mounts from:** Up to 7/8" Angle Members  
**Material:** Engineered Plastic  
**Includes:** Adapter  
**Order Separately:** SnapTak Adjustable Hangers



Part #	Description	Kit Qty	Wt. Lbs (Wt. Kg)
UA3CP-TTC	PIM Free Polymer Angle Adapter	Kit of 10	1.06 (0.48)

\*Patent Pending

### SnapWrap



**Application:** Cable Support  
**Size:** Universal  
**Design:** Molded Polymer  
**Feature:** Universal Cable Support for Multiple Cables  
**Mounts from:** 3/4" Hole  
**Material:** Engineered Plastic  
**Includes:** SnapWrap Hangers  
**Order Separately:** Adapters



Part #	Description	Kit Qty	Wt. Lbs (Wt. Kg)
SWH20010-TTC	SnapWrap Cable Management Strap	Kit of 10	0.33(0.148)
SWH200100-TTC	SnapWrap Cable Management Strap	Kit of 100	3.2 (1.45)

\*Patent Pending

## Hanger Solutions

### Large Cable Support Blocks



**Application:** Cable Support  
**Size:** 1/4" to 1-5/8" Cable  
**Design:** Molded Polymer  
**Feature:** Compact, Multi-Run Hanger  
**Mounts from:** 8mm up to 3/8" Threaded Rod  
**Material:** Engineered Plastic  
**Includes:** Cable Support Blocks  
**Order Separately:** Mounting Hardware Kits, Barrel Cushions

### Cable Block Assembly Clamps



**Application:** Cable Support  
**Size:** 1/4" to 1-5/8" Cable  
**Design:** Molded Polymer  
**Feature:** Single-Run Hanger  
**Mounts from:** 8mm Up to 3/8" Threaded Rod  
**Material:** Engineered Plastic  
**Includes:** Block Assembly Clamps  
**Order Separately:** Mounting Hardware Kits, Barrel Cushions



Part #	Description	Kit Qty	Wt. Lbs (Wt. Kg)
CBA4-TTC	Cable Block for for 4mm x 6mm Fiber Kit	Kit of 10	1.26 (0.57)
CBA14-TTC	Cable Block for 1/4" Cable (6-8mm)	Kit of 10	0.98 (0.44)
CBA38-TTC	Cable Block for 3/8" Cables (10-12mm)	Kit of 10	1.19 (0.54)
CBA12-TTC	Cable Block for 1/2" Cables (15.5-17.5mm)	Kit of 10	1.43 (0.65)
CBA58-TTC	Cable Block for 5/8" Cables (19-21mm)	Kit of 10	1.43 (0.65)
CBA78-TTC	Cable Block for 7/8" Cables (27-29mm)	Kit of 10	1.8 (0.82)
CBA114-TTC	Cable Block for 1-1/4" Cables (39-42mm)	Kit of 10	2.5 (1.13)
CBA158-TTC	Cable Block for 1-5/8" Cables (50-54mm)	Kit of 10	3.06 (1.39)

Part #	Description	Kit Qty	Wt. Lbs (Wt. Kg)
CBAH14-TTC	Hanger Half Clamps, 1/4"(6-8mm)	Kit of 10	0.89 (0.4)
CBAH38-TTC	Hanger Half Clamps, 3/8" (10-12mm)	Kit of 10	1.02 (0.46)
CBAH12-TTC	Hanger Half Clamps, 1/2" (15.5-17.5mm)	Kit of 10	1.19 (0.54)
CBAH58-TTC	Hanger Half Clamps, 5/8" (17.5-19.5mm)	Kit of 10	1.36 (0.62)
CBAH78-TTC	Hanger Half Clamps, 7/8" (27-29mm)	Kit of 10	1.53 (0.69)
CBAH114-TTC	Hanger Half Clamps, 1-1/4" (39-42mm)	Kit of 10	1.89 (0.86)
CBAH158-TTC	Hanger Half Clamps, 1-5/8" (50-54mm)	Kit of 10	2.25 (1.02)

## Hanger Solutions

### Hanger Clamps



**Application:** Cable Support  
**Size:** 1/2" to 1-5/8" Cable  
**Design:** Molded Polymer  
**Feature:** Multi-Run Hanger  
**Mounts from:** 8mm up to 3/8" Threaded Rod  
**Material:** Engineered Plastic  
**Includes:** Hanger Clamps  
**Order Separately:** Mounting Hardware Kits



Part #	Description	Kit Qty	Wt. Lbs (Wt. Kg)
CB12H-TTC	Hanger Clamps for 1/2" Corrugated Cable	Kit of 10	0.5 (0.2)
CB78H-TTC	Hanger Clamps for 7/8" Corrugated Cable	Kit of 10	1.0 (0.5)
CB114H-TTC	Hanger Clamps for 1-1/4" Corrugated Cable	Kit of 10	1.3 (0.6)
CB158H-TTC	Hanger Clamps for 1-5/8" Corrugated Cable	Kit of 10	1.8 (0.8)

\*Additional Sizes Available Upon Request

### Cable Block Pipe Adapter



**Application:** Cable Support  
**Size:** 3/8"  
**Design:** Formed Steel  
**Feature:** Supports Multiple Cable Blocks  
**Mounts from:** 1-1/2" to 3-1/2" OD Round Members  
**Material:** Hot Dip Galvanized Steel  
**Includes:** Half Clamps, Threaded Rod Kits  
**Order Separately:** Cable Support Blocks

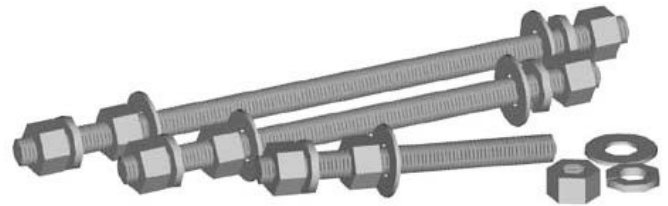


Part #	Description	Kit Qty	Wt. Lbs (Wt. Kg)
PBCBA-TTC	Cable Block Pipe Adapter	Kit of 1	3.5 (1.59)

### Mounting Hardware Kits for Cable Support Blocks and Hanger Clamps



**Application:** Cable Support  
**Size:** 3/8"  
**Design:** Hardware Kit for Cable Support Blocks  
**Material:** Hot Dip Galvanized Steel  
**Includes:** Threaded rods, Hex Nuts, Lock and Flat Washers  
**Order Separately:** Cable Support Blocks



Part #	Description	Kit Qty	Wt. Lbs (Wt. Kg)
HKSSCB-TTC	3/8" x 3-3/4" Galvanized Hardware Kit for One Cable Block	Kit of 10	1.83 (0.83)
HKDSCB-TTC	3/8" x 6-1/4" Galvanized Hardware Kit for Two Cable Blocks	Kit of 10	2.47 (1.12)
HKTSCB-TTC	3/8" x 8" Galvanized Hardware Kit for Three Cable Blocks	Kit of 10	2.89 (1.31)
HKSSCB158-TTC	3/8" x 4-1/4" Galvanized Hardware Kit for One 1-5/8" Cable Block	Kit of 10	2.01 (0.91)
HKDSCB158-TTC	3/8" x 7" Galvanized Hardware Kit for Two 1-5/8" Cable Blocks	Kit of 10	2.64 (1.2)
HKTSCB158-TTC	3/8" x 9-1/2" Galvanized Hardware Kit for Three 1-5/8" Cable Blocks	Kit of 10	3.32 (1.51)

\*Metric or Stainless Steel Hardware. Available Upon Request



## Hanger Solutions

### Universal Barrel Cushions



**Universal Barrel Cushions** provide versatility in all applications reducing material and installation costs by mounting a wide range of cable sizes in a single cushion with a single attachment point.

The unique design allows Barrel Cushions to be individually installed utilizing Butterfly, Stackable Hangers, and Cable Blocks. Barrel Cushions are constructed from UV-resistant, EPDM rubber which is durable in extreme temperatures and harsh environmental conditions.

Universal Barrel Cushions are available to fit all standard cable hanger sizes and can accommodate a wide range of cable diameters.

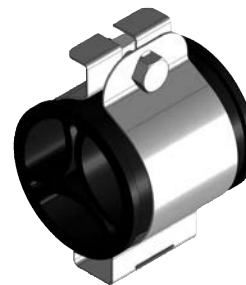
<b>Application:</b>	Cable Support
<b>Size:</b>	1/2" to 2-1/4" Cable
<b>Design:</b>	Molded Rubber
<b>Feature:</b>	Universal Cable Fit
<b>Mounts From:</b>	Snap-in, Butterfly or Block Hangers
<b>Material:</b>	EPDM Rubber
<b>Includes:</b>	Barrel Cushions
<b>Order Separately:</b>	Hanger and Adapters

Part #	Description	Kit Qty	Wt. Lbs (Wt. Kg)
BCU12-TTC	Universal Barrel Cushion, 1/2" Hanger (4mm to 10mm)	Kit of 10	0.26 (0.12)
BCU78-TTC	Universal Barrel Cushion, 7/8" Hanger (4mm to 14mm)	Kit of 10	0.57 (0.26)
BCU114-TTC	Universal Barrel Cushion, 1-1/4" Hanger (14mm to 25mm)	Kit of 10	1.1 (0.5)
BCU158-TTC	Universal Barrel Cushion, 1-5/8" Hanger (14mm to 36mm)	Kit of 10	1.3 (0.59)
BCU158M7-TTC	Universal Barrel Cushion with 7 Holes, 1-5/8" Hanger (7 x 4mm to 10mm)	Kit of 10	1.79 (0.81)
BCU214-TTC	Universal Barrel Cushion, 2-1/4" Hanger (14mm to 43mm)	Kit of 10	2.36 (1.07)

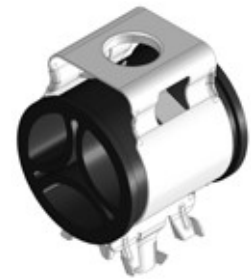
#### Our materials are:

- U.S. Engineered
- Designed from a global patent
- ROHS compliant
- Quality tested for durability and strength surpassing all industry standards

## Mounting Options



Butterfly Hanger



Snap-in Hanger



Cable Blocks

## Hanger Solutions

### Barrel Cushions



**Application:** Cable Support  
**Size:** 1/4" to 2-1/4" Cable  
**Design:** Molded Rubber  
**Feature:** Multi Run Cushions  
**Mounts From:** Snap-in, Butterfly or Cable Block Hangers  
**Material:** EPDM Rubber  
**Includes:** Barrel Cushions  
**Order Separately:** Hangers and Adapters



BC124



BC387



BC14381258

Part #	Description	Kit Qty	Wt. Lbs (Wt. Kg)
BC1023158-TTC	Barrel Cushion with 2 Holes, 1-5/8" Hanger (1 x 10mm, 1 x 23mm)	Kit of 10	2.4 (1.09)
BC582-TTC	Barrel Cushion with 2 Holes, 1-5/8" Hanger (2 x 21mm)	Kit of 10	2.2 (1)
BC1028158-TTC	Barrel Cushion with 2 Holes, 1-5/8" Hanger (1 x 10mm, 1 x 28mm)	Kit of 10	2.4 (1.09)
BC10202158-TTC	Barrel Cushion with 3 Holes, 1-5/8" Hanger (1 x 10mm, 2 x 20mm)	Kit of 10	2.04 (0.92)
BC10232158-TTC	Barrel Cushion with 3 Holes, 1-5/8" Hanger (1 x 10mm, 2 x 23mm)	Kit of 10	1.84 (0.83)
BC3819163-TTC	Barrel Cushion with 4 Holes, 1-5/8" Hanger (1 x 10mm, 3 x 14.5mm)	Kit of 10	2.7 (1.22)
BC124-TTC	Barrel Cushion with 4 Holes, 1-5/8" Hanger (4 x 16mm)	Kit of 10	1.8 (0.82)
BC05338-TTC	Barrel Cushion with 6 Holes, 1-5/8" Hanger (3 x 5mm, 3 x 10mm)	Kit of 10	2.91 (1.32)
BC144122-TTC	Barrel Cushion with 6 Holes, 1-5/8" Hanger (4 x 6mm, 2 x 16mm)	Kit of 10	2.2 (1)
BC144384-TTC	Barrel Cushion with 6 Holes, 1-5/8" Hanger (4 x 6mm, 2 x 10mm)	Kit of 10	2.37 (1.07)
BC384122-TTC	Barrel Cushion with 6 Holes, 1-5/8" Hanger (4 x 10mm, 2 x 16mm)	Kit of 10	1.92 (0.87)
BC144582-TTC	Barrel Cushion with 6 Holes, 1-5/8" Hanger (4 x 6mm, 2 x 21mm)	Kit of 10	1.79 (0.81)
BC1439163-TTC	Barrel Cushion with 6 Holes, 1-5/8" Hanger (3 x 6.1mm, 3 x 14.5mm)	Kit of 10	2.56 (1.16)
BC6810121425-TTC	Barrel Cushion with 6 Holes, 1-5/8" Hanger (6mm, 8mm, 10mm, 12mm, 14mm and 25mm)	Kit of 10	1.61 (0.73)
BC387-TTC	Barrel Cushion with 7 Holes, 1-5/8" Hanger (7 x 10mm)	Kit of 10	2.14 (0.97)
BC567121530-TTC	Barrel Cushion with 9 Holes, 1-5/8" Hanger (2 x 5mm, 2 x 6mm, 2 x 7mm, 1 x 12mm, 1 x 15mm and 1 x 30mm)	Kit of 10	1.1 (0.5)
BC1410-TTC	Barrel Cushion with 10 Holes, 1-5/8" Hanger (10 x 6mm)	Kit of 10	2.58 (1.17)
BC384582-TTC	Barrel Cushion with 6 Holes, 2-1/4" Hanger (4 x 10mm, 2 x 21mm)	Kit of 10	2.44 (1.1)
BC064124 -TTC	Barrel Cushion with 8 Holes, 1-5/8" Hanger (4 x 6mm, 4 x 12mm)	Kit of 10	1.7 (0.77)
BC14381258-TTC	Barrel Cushion with 8 Holes, 2-1/4" Hanger (4x6mm, 2x9.9mm, 1x161x21.3mm)	Kit of 10	3.31 (1.5)

Part #	Description	Kit Qty	Wt. Lbs (Wt. Kg)
BC2478-TTC	Barrel Cushion with 1 Hole, 7/8" Hanger (24mm)	Kit of 10	2.16 (0.98)
BC138158-TTC	Barrel Cushion with 1 Hole, 1-5/8" Hanger (35mm)	Kit of 10	1.62 (0.73)
BC134158-TTC	Barrel Cushion with 1 Hole, 1-5/8" Hanger (44mm)	Kit of 10	0.75 (0.34)

\*Additional Sizes Available Upon Request

## Hanger Solutions

### Barrel Cushion Elliptical



**Application:** Cable Support  
**Size:** Elliptical Waveguide  
**Design:** Molded Rubber  
**Feature:** Single/Multi Run  
**Mounts From:** Snap-in, Butterfly, or Cable Block Hangers  
**Material:** EPDM Rubber  
**Includes:** Barrel Cushions  
**Order Separately:** Hangers and Adapters



Part #	Description	Kit Qty	Wt. Lbs (Wt. Kg)
BCE151-TTC	Barrel Cushion Elliptical, 1-5/8" Hanger (E015)	Kit of 10	1.87 (0.85)
BCE771-TTC	Barrel Cushion Elliptical, 1-5/8" Hanger (E78/EWP77/EW77)	Kit of 10	1.74 (0.79)
BCE1051-TTC	Barrel Cushion Elliptical, 1-5/8" Hanger (EW85/EP100/E105)	Kit of 10	2.21 (1)
BCE902-TTC	Barrel Cushion Elliptical, 1-5/8" Hanger (EW90/EWP90/EWP90S)	Kit of 10	1.54 (0.7)
BCE2202-TTC	Barrel Cushion Elliptical, 1-5/8" Hanger (EWP180/EW180/E185/E038/E220)	Kit of 10	2.67 (1.21)
BC2431-TTC	Barrel Cushion Elliptical, 1-5/8" Hanger (24mm x 31mm)	Kit of 10	2.16 (0.98)
BCE601-TTC	Barrel Cushion Elliptical, 2-1/4" Hanger (E60)	Kit of 10	2.3 (1.04)
BCE631-TTC	Barrel Cushion Elliptical, 2-1/4" Hanger (EWP63/EW63/EWP63S/EWP64/EW64/E65/EP70/E011)	Kit of 10	2.2 (1)

\*Additional Sizes Available Upon Request

### Cushion Insert, Barrel Cushions



**Application:** Cable Support  
**Size:** 1/4" to 1-1/4" Cable  
**Design:** Molded Rubber  
**Feature:** Single Run  
**Mounts From:** Snap-in, Butterfly or Cable Block Hangers  
**Material:** EPDM Rubber  
**Includes:** Insert Barrel Cushions  
**Order Separately:** Hangers and Adapters



Part #	Description	Kit Qty	Wt. Lbs (Wt. Kg)
CIN3812 -TTC	Cushion Insert, 3/8" Cable to 1/2" Hanger Kit	Kit of 10	0.2 (0.09)
CIN1478 -TTC	Cushion Insert, 1/4" Cable to 7/8" Hanger Kit	Kit of 10	0.93 (0.42)
CIN3878 -TTC	Cushion Insert, 3/8" Cable to 7/8" Hanger Kit	Kit of 10	0.95 (0.43)
CIN1278 -TTC	Cushion Insert, 1/2" Cable to 7/8" Hanger Kit	Kit of 10	0.71 (0.32)
CIN536478-TTC	Cushion Insert, 53/64" Cable to 7/8" Hanger Kit	Kit of 10	0.4 (0.18)
CIN14114 -TTC	Cushion Insert, 1/4" Cable to 1-1/4" Hanger Kit	Kit of 10	1.95 (0.88)
CIN38114 -TTC	Cushion Insert, 3/8" Cable to 1-1/4" Hanger Kit	Kit of 10	1.9 (0.86)
CIN58114 -TTC	Cushion Insert, 5/8" Cable to 1-1/4" Hanger Kit	Kit of 10	1.76 (0.8)
CIN17114 -TTC	Cushion Insert, 17mm - 18mm Cable to 1-1/4" Hanger Kit	Kit of 10	1.76 (0.8)
CIN22114 -TTC	Cushion Insert, 22mm - 25mm Cable to 1-1/4" Hanger Kit	Kit of 10	1.3 (0.59)
CIN28114-TTC	Cushion Insert, 27mm - 29mm Cable to 1-1/4" Hanger Kit	Kit of 10	1.1 (0.5)
CIN33114 -TTC	Cushion Insert, 33mm Cable to 1-1/4" Hanger Kit	Kit of 10	0.59 (0.27)
CINE040638-TTC	Cushion Insert, 4mm x 6mm Cable to 3/8" Hanger Kit	Kit of 10	0.12 (0.05)
CINE040612-TTC	Cushion Insert, 4mm x 6mm Cable to 1/2" Hanger Kit	Kit of 10	0.23 (0.1)

\*Additional Sizes Available Upon Request

## Hanger Solutions

### SnapStak® Hanger

Application:	Cable Support
Size:	1/2" to 1-5/8" Cable
Design:	Formed Stainless Steel
Feature:	Stackable
Mounts From:	3/4" Holes
Material:	Stainless Steel
Includes:	Hangers
Order Separately:	Adapters



Part #	Description	Kit Qty	Wt. Lbs (Wt. Kg)
SHS12-TTC	SnapStak® Snap-In Hanger for 1/2" Cable	Kit of 10	0.68 (0.31)
SHS78-TTC	SnapStak® Snap-In Hanger for 7/8" Cable	Kit of 10	0.8 (0.36)
SHS114-TTC	SnapStak® Snap-In Hanger for 1-1/4" Cable	Kit of 10	0.96 (0.43)
SHS158-TTC	SnapStak® Snap-In Hanger for 1-5/8" Cable	Kit of 10	1.13 (0.51)

\*Patented Product

### SnapStak® Plus Adjustable Hanger

Application:	Cable Support
Size:	14mm to 51mm Cable
Design:	Formed Stainless Steel
Feature:	Universal Fit Without Cushions
Mounts to:	3/4" Holes
Material:	Stainless Steel
Includes:	Hangers
Order Separately:	Adapters



Part #	Description	Kit Qty	Wt. Lbs (Wt. Kg)
SSHM-TTC	SnapStak® Plus Hanger Kit, Medium (14-25mm)	Kit of 10	0.67 (0.3)
SSHL-TTC	SnapStak® Plus Hanger Kit, Large (25-36mm)	Kit of 10	0.69 (0.31)
SSHXL-TTC	SnapStak® Plus Hanger Kit, Extra Large (36-51mm)	Kit of 10	1.1 (0.5)

\*Patented Product

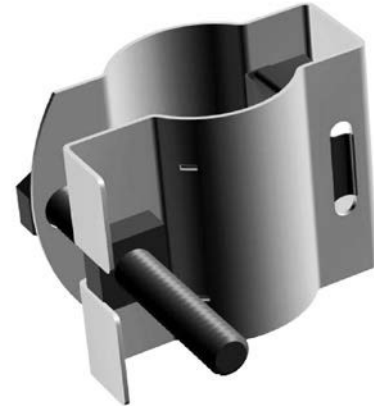
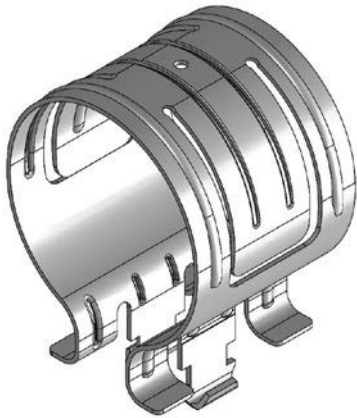
## Hanger Solutions

### Universal Snap-In Hangers

**Application:** Cable Support  
**Size:** 1/2" to 2-1/4" Cable  
**Design:** Formed Stainless Steel  
**Feature:** Universal Cable Diameter  
**Mounts to:** 3/4" Holes  
**Material:** Stainless Steel  
**Includes:** Hangers  
**Order Separately:** Adapters

### Butterfly Hangers

**Application:** Cable Support  
**Size:** 1/2" to 2-1/4" Cable  
**Design:** Formed Stainless Steel  
**Feature:** Heavy Wind Load Support  
**Mounts to:** 7/16" Pre-Punched Hole  
**Material:** Stainless Steel  
**Includes:** Hangers  
**Order Separately:** Hardware Kits and Adapters



Part #	Description	Kit Qty	Wt. Lbs (Wt. Kg)
SHU12-TTC	Universal Snap-In Hanger for 1/2" Cable	Kit of 10	0.7 (0.3)
SHU58-TTC	Universal Snap-In Hanger for 5/8" Cable	Kit of 10	1.0 (0.5)
SHU78-TTC	Universal Snap-In Hanger for 7/8" Cable	Kit of 10	1.2 (0.5)
SHU114-TTC	Universal Snap-In Hanger for 1-1/4" Cable	Kit of 10	1.3 (0.6)
SHU158-TTC	Universal Snap-In Hanger for 1-5/8" Cable	Kit of 10	1.5 (0.7)
SHU214-TTC	Universal Snap-In Hanger for 2-1/4" Cable	Kit of 10	1.7 (0.8)

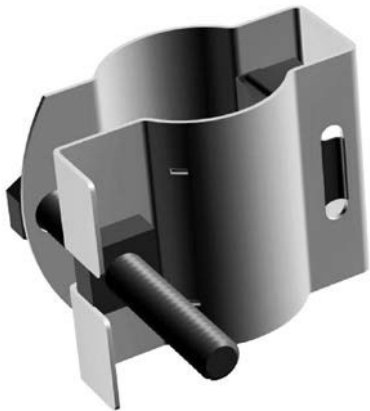
Part #	Description	Kit Qty	Wt. Lbs (Wt. Kg)
BH12NH-TTC	Butterfly Hanger Kit for 1/2" Cable	Kit of 10	1.0 (0.5)
BH58NH-TTC	Butterfly Hanger Kit for 5/8" Cable	Kit of 10	1.1 (0.5)
BH78NH-TTC	Butterfly Hanger Kit for 7/8" Cable	Kit of 10	1.1 (0.5)
BH114NH-TTC	Butterfly Hanger Kit for 1-1/4" Cable	Kit of 10	1.4 (0.6)
BH158NH-TTC	Butterfly Hanger Kit for 1-5/8" Cable	Kit of 10	1.5 (0.7)
BH214NH-TTC	Butterfly Hanger Kit for 2-1/4" Cable	Kit of 10	1.5 (0.7)

\*Hanger Kits Including Hardware Available Upon Request

## Hanger Solutions

### Butterfly Hangers for Elliptical Waveguide

**Application:** Cable Support  
**Size:** Elliptical Waveguide  
**Design:** Formed Stainless Steel  
**Feature:** Heavy Wind Load Support  
**Mounts to:** 7/16" Pre-Punched Hole  
**Material:** Stainless Steel  
**Includes:** Hangers  
**Order Separately:** Hardware Kits and Adapters



Part #	Description	Kit Qty	Wt. Lbs (Wt. Kg)
BH43NH-TTC	Butterfly Hanger Kit for EW43, WE37, WE46, E38 and ES46	Kit of 10	1.5 (0.7)
BH52NH-TTC	Butterfly Hanger Kit for EW52, WE61 and E60	Kit of 10	1.5 (0.7)
BH63NH-TTC	Butterfly Hanger Kit for EW63, WE65 and E65	Kit of 10	1.5 (0.7)
BH64NH-TTC	Butterfly Hanger Kit for EW64	Kit of 10	1.4 (0.6)
BH77NH-TTC	Butterfly Hanger Kit for EW77, WE78 and E78	Kit of 10	1.3 (0.6)
BH85NH-TTC	Butterfly Hanger Kit for EW85, EW90, WE108 and E105	Kit of 10	1.1 (0.5)
BH127NH-TTC	Butterfly Hanger Kit for EW127, EW132, WE130, WE150, E130 and E150	Kit of 10	1.1 (0.5)
BH180NH-TTC	Butterfly Hanger Kit for EW180, WE191 and E185	Kit of 10	1.0 (0.5)

\*Hanger Kits Including Hardware. Available Upon Request

### Hanger Hardware Kits

**Application:** Cable Support  
**Mounts to:** 7/16" Pre-Punched Hole  
**Material:** Stainless Steel  
**Includes:** Bolts, Hex Nuts and Lock Washer  
**Order Separately:** Butterfly Hangers



Part #	Description	Kit Qty	Wt. Lbs (Wt. Kg)
HK3410-TTC	Hanger Hardware Kit, 3/8" x 3/4" Slotted Hex Head Bolts, Lock Washers and Hex Nuts	Kit of 10	0.5 (0.2)
HK10010-TTC	Hanger Hardware Kit, 3/8" x 1" Slotted Hex Head Bolts, Lock Washers and Hex Nuts	Kit of 10	0.6 (0.3)

\*Metric Hardware Kits Available Upon Request

### Angle Rail Adapter

**Application:** Cable Support  
**Size:** 3/4" Hole for Snap-in Hangers  
**Design:** Formed Stainless Steel  
**Feature:** Adapts to 1-5/8" Square Rail  
**Mounts to:** 1-5/8" Square Rail  
**Material:** Stainless Steel  
**Includes:** Adapter



Part #	Description	Kit Qty	Wt. Lbs (Wt. Kg)
ARA22-TTC	Angle Rail Adapter 22mm	Kit of 10	0.77 (0.35)

## Hanger Solutions

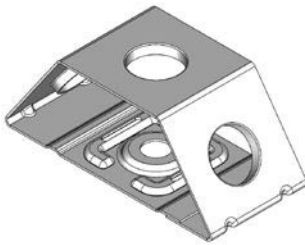
### Universal Angle Adapters

**Application:** Cable Support  
**Size:** 3/4" Holes with 3/8" Tapped Insert  
**Design:** Universal  
**Feature:** Accepts Snap-ins or 3/8" Hardware  
**Mounts to:** Up to 7/8" Angle Members  
**Material:** Galvanized/Stainless Steel  
**Includes:** Adapters, Set Bolt, Hanger Hardware Kit, Available With or Without Insert  
**Order Separately:** Hangers



Part #	Description	Kit Qty	Wt. Lbs (Wt. Kg)
AAGU-TTC	Galvanized Universal Angle Adapter	Kit of 10	4.9 (2.2)
AAGUS-TTC	Galvanized Universal Angle Adapter, Snap-In Version (Insert Not Included)	Kit of 10	4.7 (2.1)
AAU-TTC	Universal Angle Adapter, Stainless Steel	Kit of 10	4.9 (2.2)
AAUS-TTC	Universal Angle Adapter, Snap-In Version, Stainless Steel (Insert Not Included)	Kit of 10	4.7 (2.1)

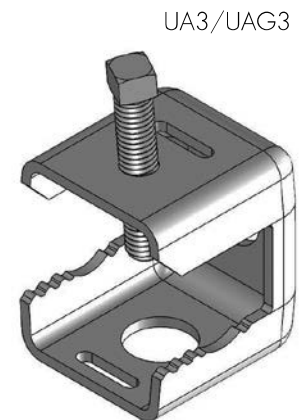
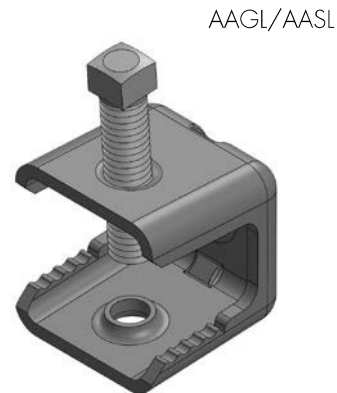
### Universal 3-Way Stand-Off Adapter



Part #	Description	Kit Qty	Wt. Lbs (Wt. Kg)
SA38-TTC	Universal 3-Way Stainless Steel Stand-Off Adapter	Kit of 10	1.1 (0.5)

### Angle Adapters

**Application:** Cable Support  
**Size:** 3/4" Holes or 3/8" Holes  
**Feature:** Accepts Snap-ins, 3/8" Hardware  
**Mounts to:** Up to 7/8" Angle Members, Round Member Adapters  
**Material:** Galvanized/Stainless Steel  
**Includes:** Adapters, Set Bolt  
**Order Separately:** Hangers



Part #	Description	Kit Qty	Wt. Lbs (Wt. Kg)
UA3CVG-TTC	Universal Snap-in Angle Adapter, Galvanized, Compact Version	Kit of 10	3.5 (1.59)
UA3G-TTC	Universal Snap-In Angle Adapter, Galvanized	Kit of 10	5.01 (2.27)
UA3-TTC	Universal Snap-In Angle Adapter, Stainless Steel	Kit of 10	4.85 (2.2)
AAGL-TTC	Galvanized Angle Adapter with 3/8" Tapped Holes	Kit of 10	4.87 (2.21)
AASL-TTC	Angle Adapter with 3/8" Tapped Holes, Stainless Steel	Kit of 10	4.25 (1.93)

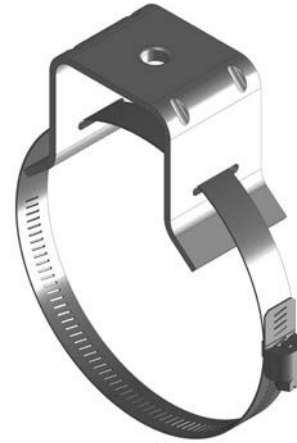
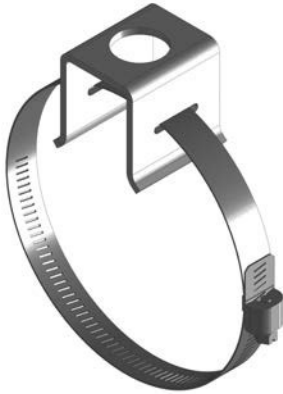
## Hanger Solutions

### Standoff Adapters

<b>Application:</b>	Cable Support
<b>Size:</b>	3/4" (19.1mm) Hole
<b>Design:</b>	Formed Stainless Steel
<b>Feature:</b>	Accepts Snap-in Hangers
<b>Mounts to:</b>	1" to 6" OD Round Members
<b>Material:</b>	Stainless Steel
<b>Includes:</b>	Standoff Adapter/Round Member Adapter
<b>Order Separately:</b>	Hangers

### Round Member Adapters

<b>Application:</b>	Cable Support
<b>Size:</b>	3/8" Threaded Hole
<b>Design:</b>	Formed Stainless Steel
<b>Feature:</b>	Accepts 3/8" Stainless Steel Hardware
<b>Mounts to:</b>	1" to 6" OD Round Members
<b>Material:</b>	Stainless Steel
<b>Includes:</b>	Standoff Adapter/Round Member Adapter
<b>Order Separately:</b>	Hangers



Part #	Description	Kit Qty	Wt. Lbs (Wt. Kg)
SASS-TTC	Snap-in Standoff Adapter (Round Member Adapters or Bundling Strap must be Purchased Separately)	Kit of 10	2.9 (3.1)
SASS100-TTC	Snap-in Standoff Adapter for 1" to 2" (25.4mm–50.8mm) Members	Kit of 10	3.8 (1.7)
SASS200-TTC	Snap-in Standoff Adapter for 2" to 3" (50.8mm–76.2mm) Members	Kit of 10	3.9 (1.8)
SASS300-TTC	Snap-in Standoff Adapter for 3" to 4" (76.2mm–101.6mm) Members	Kit of 10	4.0 (1.8)
SASS400-TTC	Snap-in Standoff Adapter for 4" to 5" (101.6mm–127.0mm) Members	Kit of 10	4.1 (1.9)
SASS500-TTC	Snap-in Standoff Adapter for 5" to 6" (127.0mm–152.4mm) Members	Kit of 10	4.1 (1.9)
SAUH-TTC	Insert Square Nut, 3/8" Stainless Steel	Kit of 10	0.3 (0.13)

Part #	Description	Kit Qty	Wt. Lbs (Wt. Kg)
SA38S-TTC	Standoff Adapter Kit, 3/8" Threaded Hole (9.5mm)	Kit of 10	3.22 (1.46)
SA38S100-TTC	Standoff Adapter for 1" to 2" (25.4mm-50.8mm) Members	Kit of 10	3.63 (1.64)
SA38S200-TTC	Standoff Adapter for 2" to 3" (50.8mm-76.2mm) Members	Kit of 10	3.75 (1.7)
SA38S300-TTC	Standoff Adapter for 3" to 4" (76.2mm-101.6mm) Members	Kit of 10	3.88 (1.76)
SA38S400-TTC	Standoff Adapter for 4" to 5" (101.6mm-127.0mm) Members	Kit of 10	4.13 (1.87)
SA38S500-TTC	Standoff Adapter for 5" to 6" (127.0mm-152.4mm) Members	Kit of 10	4.36 (1.98)

\*Metric Sizes Available Upon Request



## Hanger Solutions

### Acetal Bands



**Application:** Cable Support  
**Size:** Universal  
**Design:** Meets Performance Requirements of Telecordia TR-TSY-00789  
**Mounts to:** Round Members  
**Material:** Acetal (Delrin®)  
**Includes:** Bands and Locking Heads  
**Order Separately:** Hangers and Adapters



Part #	Description	Kit Qty	Wt. Lbs (Wt. Kg)
TWAG16-TTC	Acetal Band with Pre-Attached Locking Heads, 1/2" x 16"	Kit of 50	1.38 (0.63)
TWAG27-TTC	Acetal Band with Pre-Attached Locking Heads, 1/2" x 27"	Kit of 25	1.12 (0.51)

### Acetal Banding Reel



Part #	Description	Kit Qty	Wt. Lbs (Wt. Kg)
BNDA12-50-TTC	Acetal Banding, 1/2" x 50' Reel	Kit of 1	0.94 (0.43)

### Acetal Banding Locking Heads



Part #	Description	Kit Qty	Wt. Lbs (Wt. Kg)
BNDLH-25-TTC	Acetal Banding, Locking Head	Kit of 25	0.2 (0.09)
BNDLH-100-TTC	Acetal Banding, Locking Head	Kit of 100	0.79 (0.36)

### Acetal Banding Tensioning Tool

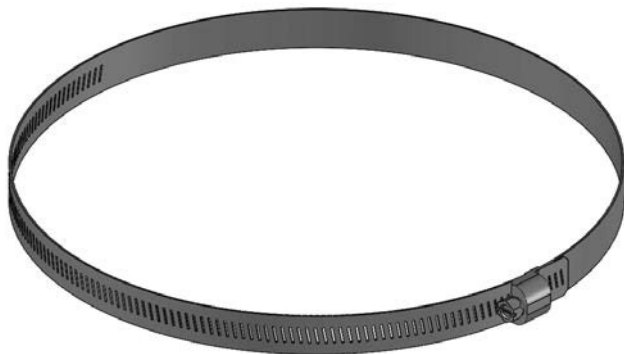


Part #	Description	Kit Qty	Wt. Lbs (Wt. Kg)
TWITXR-TTC	Acetal Banding, Tensioning Tool	Kit of 1	0.54 (0.24)

## Hanger Solutions

### Round Member Adapters

**Application:** Cable Support  
**Size:** 1/2" Wide, Adjustable Diameter  
**Feature:** Adapts to Round Members  
**Mounts to:** Versions from 1" to 10" Round Members  
**Material:** Stainless Steel  
**Includes:** Round Member Adapter  
**Order Separately:** Hangers and Adapters



### Polymer Round Member Adapters



**Application:** Cable Support  
**Size:** 1/2" Wide, Adjustable Diameter  
**Feature:** Adapts to Round Members  
**Mounts to:** Versions from 1" to 6"  
**Material:** Nylon  
**Includes:** Round Member Adapter  
**Order Separately:** Hangers and Adapters



Part #	Description	Kit Qty	Wt. Lbs (Wt. Kg)
RMA100-TTC	Round Member Adapter, 1" to 2" (25.4mm–50.8mm)	Kit of 10	0.8 (0.36)
RMA200-TTC	Round Member Adapter, 2" to 3" (50.8mm–76.2mm)	Kit of 10	1.0 (0.5)
RMA300-TTC	Round Member Adapter, 3" to 4" (76.2mm–101.6mm)	Kit of 10	1.2 (0.5)
RMA400-TTC	Round Member Adapter, 4" to 5" (101.6mm–127.0mm)	Kit of 10	1.3 (0.6)
RMA500-TTC	Round Member Adapter, 5" to 6" (127.0mm–152.4mm)	Kit of 10	1.3 (0.6)
RMA600-TTC	Round Member Adapter, 6" to 8" (152.4mm–203.2mm)	Kit of 10	1.3 (0.6)
RMA800-TTC	Round Member Adapter, 8" to 10" (203.2mm–254.0mm)	Kit of 10	1.3 (0.6)

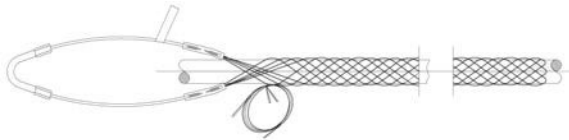
Part #	Description	Kit Qty	Wt. Lbs (Wt. Kg)
RMA100P-TTC	Polymer Round Member Adapter 1" to 2" (25.4mm - 50.8mm)	Kit of 10	0.31 (0.14)
RMA200P-TTC	Polymer Round Member Adapter 2" to 3" (50.8mm - 76.2mm)	Kit of 10	0.33 (0.15)
RMA300P-TTC	Polymer Round Member Adapter 3" to 4" (76.2mm - 101.6mm)	Kit of 10	0.37 (0.17)
RMA400P-TTC	Polymer Round Member Adapter 4" to 5" (101.6mm - 127.0mm)	Kit of 10	0.4 (0.18)
RMA500P-TTC	Polymer Round Member Adapter 5" to 6" (127.0mm - 152.4mm)	Kit of 10	0.42 (0.19)

\*Individual and Additional Size Round Member Adapters Available Upon Request

## Hanger Solutions

### Lace-Up Hoisting Grips

**Application:** Cable Support  
**Size:** Cable and Elliptical Waveguide  
**Design:** Mesh Grip with Single Eye Support  
**Feature:** Lace-Up Installation at any Point on Cable  
**Mounts to:** Shackle or Beam Clamp  
**Material:** Stainless Steel  
**Includes:** Grip



### Pre-Laced Hoisting Grips

**Application:** Cable Support  
**Size:** 3/8" to 2-1/4" Cable  
**Design:** Mesh Grip with Single Eye Support  
**Feature:** Pre-Laced to Simplify Installation  
**Mounts to:** Shackle or Beam Clamp  
**Material:** Stainless Steel  
**Includes:** Grip, Self-Locking Clip



Part #	Description	Kit Qty	Wt. Lbs (Wt. Kg)
HG014-TTC	Lace-Up Hoisting Grip for 1/4" (7mm - 9mm) Cable	Each	0.2 (0.1)
HG038-TTC	Lace-Up Hoisting Grip for 3/8" (10mm - 12mm) Cable	Each	0.2 (0.1)
HG012-TTC	Lace-Up Hoisting Grip for 1/2" (15mm - 18mm) Cable, EW180, WE190, WE191 and E185	Each	0.3 (0.1)
HG058-TTC	Lace-Up Hoisting Grip for 5/8" (20mm - 25mm) Cable, EW122, EW127, EW132, WE122, WE130, WE150, E130 and E150	Each	0.4 (0.2)
HG078-TTC	Lace-Up Hoisting Grip for 7/8" (26mm - 31mm) Cable, EW85, WE90, WE108 and E105	Each	0.6 (0.3)
HG0114-TTC	Lace-Up Hoisting Grip for 1-1/4" (39mm - 44mm) Cable, EW64	Each	0.6 (0.3)
HG0158-TTC	Lace-Up Hoisting Grip for 1-5/8" (44mm - 50mm) Cable, EW52 and EW63	Each	1.3 (0.6)
HG0214-TTC	Lace-Up Hoisting Grip for 2-1/4" (51mm - 63mm) Cable EW37	Each	1.3 (0.6)

Part #	Description	Kit Qty	Wt. Lbs (Wt. Kg)
HGC14-TTC	Pre-Laced Hoisting Grip for 1/4" (7mm - 9mm) Cable	Each	0.2 (0.1)
HGC38-TTC	Pre-Laced Hoisting Grip for 3/8" (10mm - 12mm) Cable	Each	0.3 (0.1)
HGC12-TTC	Pre-Laced Hoisting Grip for 1/2" (15mm - 18mm) Cable	Each	0.4 (0.2)
HGC58-TTC	Pre-Laced Hoisting Grip for 5/8" (20mm - 25mm) Cable	Each	0.4 (0.2)
HGC78-TTC	Pre-Laced Hoisting Grip for 7/8" (26mm - 31mm) Cable	Each	0.5 (0.2)
HGC114-TTC	Pre-Laced Hoisting Grip for 1-1/4" (39mm - 44mm) Cable	Each	0.5 (0.2)
HGC158-TTC	Pre-Laced Hoisting Grip for 1-5/8" (44mm - 50mm) Cable	Each	1.3 (0.6)
HGC214-TTC	Pre-Laced Hoisting Grip for 2-1/4" (51mm - 63mm) Cable	Each	1.3 (0.6)

## Hanger Solutions

### PIM Blocker™ Hoisting Grips



**Application:** Cable Support  
**Size:** 1/4" to 5/8" Cable  
**Design:** Mesh Grip with Single Eye Support  
**Feature:** Lace-Up/Pre-Laced  
**Mounts to:** Shackle or Beam Clamp  
**Material:** Engineered Plastic  
**Includes:** Hoisting Grip and Tape



Part #	Description	Kit Qty	Wt. Lbs (Wt. Kg)
HGC14P-TTC	Pre-Laced Polymer Hoisting Grip for 1/4" (6mm to 10mm) Cable	Kit of 1	0.22 (0.09)
HGC12P-TTC	Pre-Laced Polymer Hoisting Grip for 1/2" (11mm to 16mm) Cable	Kit of 1	0.23 (0.1)
HG012P-TTC	Pre-Laced Polymer Hoisting Grip for 1/2" (10mm to 16mm) Cable	Kit of 1	0.25 (0.11)

### PIM Blocker™ Tape



**Application:** PIM Mitigation  
**Size:** 2-1/2" x 25' or 10" x 25'  
**Feature:** PIM Mitigation  
**Includes:** 25' Roll of Reflective Tape, (2) 25' Rolls of Self-amalgamating Tape



Part #	Description	Kit Qty	Wt. Lbs (Wt. Kg)
PT2525-TTC	PIM Blocker™ Tape, 2.5" x 25' Roll	Kit of 1	1.9 (0.86)
PT1025-TTC	PIM Blocker™ Tape, 10" x 25' Roll	Kit of 1	7.12 (3.23)

### Self-Amalgamating Tape



Part #	Description	Kit Qty	Wt. Lbs (Wt. Kg)
SAT1515-TTC	Self-Amalgamating Tape, 1.5" x 15', 30mil	Each	0.4 (0.18)
WSSACK-TTC	Self-Amalgamating Tape Kit, 1.5" x 15' 30 mil	2 Rolls	0.8 (0.36)

### Colored Marking Tape



Part #	Description	Kit Qty	Wt. Lbs (Wt. Kg)
CMTB-TTC	Colored Marking Tape, Blue, 3/4" x 66'	Each	0.2 (0.09)
CMTBR-TTC	Colored Marking Tape, Brown, 3/4" x 66'	Each	0.2 (0.09)
CMTG-TTC	Colored Marking Tape, Green, 3/4" x 66'	Each	0.2 (0.09)
CMTGR-TTC	Colored Marking Tape, Gray, 3/4" x 66'	Each	0.2 (0.09)
CMTO-TTC	Colored Marking Tape, Orange, 3/4" x 66'	Each	0.2 (0.09)
CMTR-TTC	Colored Marking Tape, Red, 3/4" x 66'	Each	0.2 (0.09)
CMTV-TTC	Colored Marking Tape, Violet, 3/4" x 66'	Each	0.2 (0.09)
CMTW-TTC	Colored Marking Tape, White, 3/4" x 66'	Each	0.2 (0.09)
CMTY-TTC	Colored Marking Tape, Yellow, 3/4" x 66'	Each	0.2 (0.09)

## Hanger Solutions

### Universal Weather Proofing Kit

**Application:** Weather Proofing  
**Design:** Tape Kit for Multi-layer Wrap  
**Feature:** Multi-Connection Protection  
**Mounts to:** Cables and Connectors  
**Material:** Butyl and Vinyl  
**Includes:** Six Rolls Butyl Mastic, One Roll 2" x 20' (50.8mm x 6.1m) and Two Rolls of 3/4" x 66' (19.1mm x 20.1m) Tape



Part #	Description	Kit Qty	Wt. Lbs (Wt. Kg)
WSKU-TTC	Universal Weather Proofing Kit	Each	3.4 (1.5)

### Silicone Self-Amalgamating Tape



Part #	Description	Kit Qty	Wt. Lbs (Wt. Kg)
SBSTB1515-TTC	Tape, Silicone, 1.5" x 15', 30 mil Black	Each	0.25 (0.11)
SBSTB215-TTC	Tape, Silicone, 2" x 15', 30 mil Black	Each	0.30 (0.14)

### Universal Cold Shrink Weather Proofing Kits

**Application:** Weather Proofing  
**Design:** Collapsible Sealing Tube  
**Feature:** Universal Spacer Design  
**Mounts to:** Cable Connections  
**Material:** EPDM Tube with Premium Closed Cell Foam Tape  
**Includes:** Tube and Foam Tape

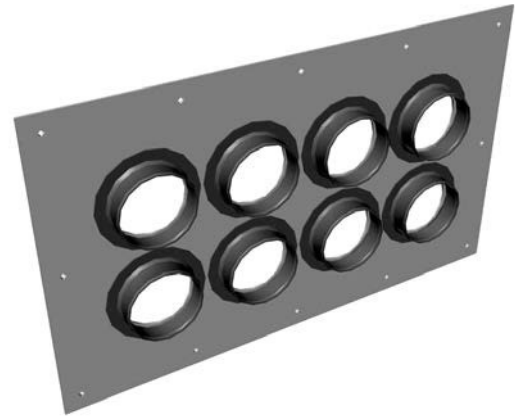


Part #	Description	Kit Qty	Wt. Lbs (Wt. Kg)
CSU1212-TTC	Universal Cold Shrink Weather Proofing Kit for 1/2" - 1/2" Cable	Each	0.43 (0.19)
CSU1258-TTC	Universal Cold Shrink Weather Proofing Kit for 1/2" - 5/8" Cable	Each	0.4 (0.2)
CSU1278-TTC	Universal Cold Shrink Weather Proofing Kit for 1/2" - 7/8" Cable	Each	0.48 (0.22)
CSU12114-TTC	Universal Cold Shrink Weather Proofing Kit for 1/2" - 1-1/4" Cable	Each	0.79 (0.4)
CSU12158-TTC	Universal Cold Shrink Weather Proofing Kit for 1/2" - 1-5/8" Cable	Each	0.79 (0.4)
CSU12214-TTC	Universal Cold Shrink Weather Proofing Kit for 1/2" - 2-1/4" Cable	Each	0.96 (0.4)

## Entry Port Solutions

### 4" Feed-Thru Entry Panels

**Application:** Entry Port Solutions  
**Size:** 15 Configurations  
**Design:** Entry Plate with Round Ports  
**Mounts to:** Walls and Enclosures  
**Material:** Powder Coated Aluminum  
**Includes:** Port, Caps, Mounting Hardware  
**Order Separately:** 4" (101.6mm) Boot Assemblies



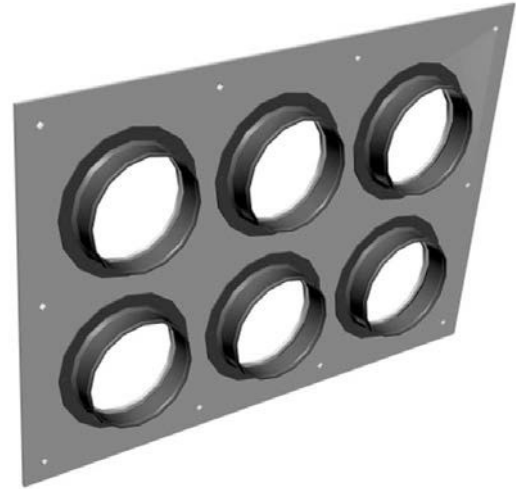
Feed-Thru Entry Panel Size Chart							
Part #	Description	Kit Qty	Wt. Lbs (Wt. Kg)	Wall Opening Size, in. (Wall Opening Size, mm)		Panel Overall Size, in. (Overall Size, mm)	
				Width	Height	Width	Height
EP220-TTC	Entry Panel, 1 Port, 1 x 1, Standard	Each	1.0 (0.5)	4" (101.6mm)	4" (101.6mm)	7" (177.8mm)	7" (177.8mm)
EP1448-TTC	Entry Panel, 2 Port, 1 x 2, Standard	Each	2.3 (1.0)	10" (254.0mm)	4" (101.6mm)	7" (177.8mm)	7" (177.8mm)
EP1635-TTC	Entry Panel, 3 Port, 1 x 3, Standard	Each	2.9 (1.3)	15" (381.0mm)	4" (101.6mm)	20" (508.0mm)	9-1/2" (241.3mm)
EP575-TTC	Entry Panel, 4 Port, 1 x 4, Standard	Each	3.5 (1.6)	20-1/2" (520.7mm)	4" (101.6mm)	25-1/2" (647.7mm)	9-1/2" (241.3mm)
EP1199-TTC	Entry Panel, 4 Port, 2 x 2, Standard	Each	4.2 (1.9)	9-1/2" (241.3mm)	11" (279.4mm)	17-1/2" (444.5mm)	17-1/2" (444.5mm)
EP1449-TTC	Entry Panel, 6 Port, 2 x 3, Standard	Each	6.1 (2.8)	15" (381.0mm)	9-1/2" (241.3mm)	23" (584.2mm)	17-1/2" (444.5mm)
EP1477-TTC	Entry Panel, 6 Port, 1 x 6, Standard	Each	6.0 (2.7)	31-1/2" (800.1mm)	4" (101.6mm)	36-1/2" (927.1mm)	9-1/2" (241.3mm)
EP576-TTC	Entry Panel, 8 Port, 2 x 4, Standard	Each	6.1 (2.8)	20-1/2" (520.7mm)	9-1/2" (241.3mm)	25-1/2" (647.7mm)	17-1/2" (444.5mm)
EP1033-TTC	Entry Panel, 9 Port, 3 x 3	Each	7.1 (3.2)	15" (381.0mm)	15" (381.0mm)	23" (584.2mm)	23" (584.2mm)
EP1118-TTC	Entry Panel, 12 Port, 3 x 4, Standard	Each	8.5 (3.9)	20-1/2" (520.7mm)	15" (381.0mm)	25-1/2" (647.7mm)	25-1/2" (647.7mm)
EP1336-TTC	Entry Panel, 12 Port, 2 x 6	Each	9.2 (4.2)	31-1/2" (800.1mm)	9-1/2" (241.3mm)	39-1/2" (1003.3mm)	17-1/2" (444.5mm)
EP1447-TTC	Entry Panel, 16 Port, 4 x 4	Each	9.1 (4.2)	20-1/2" (520.7mm)	20-1/2" (520.7mm)	25-1/2" (647.7mm)	25-1/2" (647.7mm)
EP1333-TTC	Entry Panel, 18 Port, 3 x 6	Each	13.0 (5.9)	31-1/2" (800.1mm)	15" (381.0mm)	39-1/2" (1003.3mm)	25-1/2" (647.7mm)
EP1861-TTC	Entry Panel, 20 Port, 4 x 5	Each	11.0 (5.0)	26" (660.4mm)	20-1/2" (520.7mm)	31" (787.4mm)	28-1/2" (723.9mm)
EP1340-TTC	Entry Panel, 24 Port, 4 x 6	Each	15.8 (7.2)	31-1/2" (800.1mm)	20-1/2" (520.7mm)	39-1/2" (1003.3mm)	31" (787.4mm)

\*Custom Colors and Configurations Available Upon Request.

## Entry Port Solutions

### 5" Feed-Thru Entry Panels

**Application:** Entry Port Solutions  
**Size:** 7 Configurations  
**Design:** Entry Plate with Round Ports  
**Mounts to:** Walls and Enclosures  
**Material:** Powder Coated Aluminum  
**Includes:** Port, Caps, Mounting Hardware  
**Order Separately:** 5" (127.0mm) Boot Assemblies



Feed-Thru Entry Panel Size Chart							
				Wall Opening Size, in. (Wall Opening Size, mm)		Panel Overall Size, in. (Overall Size, mm)	
Part #	Description	Kit Qty	Wt. Lbs (Wt. Kg)	Width	Height	Width	Height
EP549-TTC	Entry Panel, 1 port, 1 x 1	Each	1.0 (0.5)	5" (127.0mm)	5" (127.0mm)	9-1/2" (241.3mm)	9-1/2" (241.3mm)
EP550-TTC	Entry Panel, 2 port, 1 x 2	Each	3.5 (1.6)	12" (304.8mm)	5" (127.0mm)	17-1/2" (444.5mm)	9-1/2" (241.3mm)
EP551-TTC	Entry Panel, 3 port, 1 x 3	Each	4.8 (2.2)	19" (482.6mm)	5" (127.0mm)	25-1/2" (647.7mm)	9-1/2" (241.3mm)
EP552-TTC	Entry Panel, 4 port, 2 x 2	Each	4.8 (2.2)	12" (304.8mm)	12" (304.8mm)	17-1/2" (444.5mm)	17-1/2" (444.5mm)
EP553-TTC	Entry Panel, 6 port, 2 x 3	Each	6.0 (2.7)	19" (482.6mm)	12" (304.8mm)	25-1/2" (647.7mm)	17-1/2" (444.5mm)
EP1191-TTC	Entry Panel, 8 port, 2 x 4	Each	7.0 (3.2)	26" (660.4mm)	12" (304.8mm)	33-1/2" (850.9mm)	17-1/2" (444.5mm)
EP1113-TTC	Entry Panel, 9 port, 3 x 3	Each	7.0 (3.2)	19" (482.6mm)	19" (482.6mm)	25-1/2" (647.7mm)	25-1/2" (647.7mm)

\*Custom Colors and Configurations Available Upon Request.

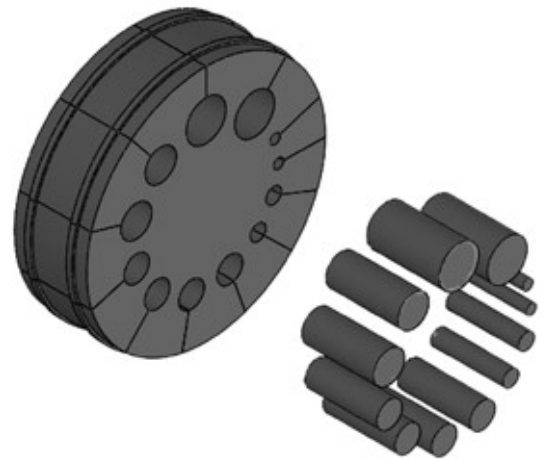
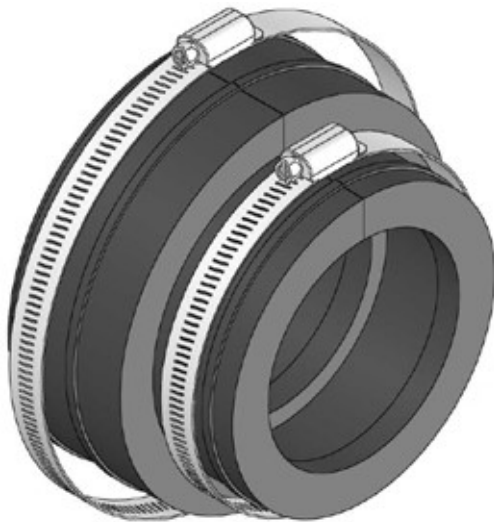
## Entry Port Solutions

### Feed-Thru Boot Assemblies

<b>Application:</b>	Entry Port Solutions
<b>Size:</b>	4" and 5"
<b>Design:</b>	Compression Boot for Aluminum Entry Panels
<b>Feature:</b>	One-Piece Design Simplifies Installation
<b>Mounts to:</b>	Entry Panels
<b>Material:</b>	EPDM Rubber
<b>Includes:</b>	Boot, Two (2) Hose Clamps
<b>Order Separately:</b>	Cushion Inserts, Entry Panel

### Standard Cable Cushion Plugs

<b>Application:</b>	Entry Port Solutions
<b>Size:</b>	1/2" to 7/8" Cable
<b>Design:</b>	Plugs for Unused Cushion Holes
<b>Feature:</b>	Allows for Future Expansion
<b>Mounts to:</b>	Cushion Inserts
<b>Material:</b>	EPDM Rubber
<b>Includes:</b>	Plugs
<b>Order Separately:</b>	Cushion Inserts or Boot Assemblies



Part #	Description	Kit Qty	Wt. Lbs (Wt. Kg)
BA400-TTC	4" (101.6mm) Boot Assembly, Cushion Not Included	Each	1.3 (0.6)
BA500-TTC	5" (127.0mm) Boot Assembly, Cushion Not Included	Each	1.3 (0.6)

Part #	Description	Kit Qty	Wt. Lbs (Wt. Kg)
CP12-TTC	Cushion Plug for 1/2" Cable	Kit of 5	0.1 (0.1)
CP38-TTC	Cushion Plug for 3/8" Cable	Kit of 5	0.2 (0.1)
CP58-TTC	Cushion Plug for 5/8" Cable	Kit of 5	0.1 (0.1)
CP78-TTC	Cushion Plug for 7/8" Cable	Kit of 5	0.2 (0.1)

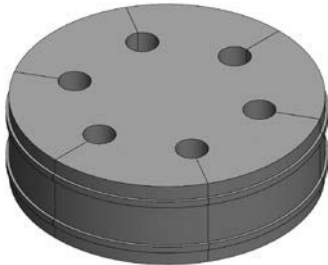
\*Boot Assemblies Including Cushions are Available Upon Request



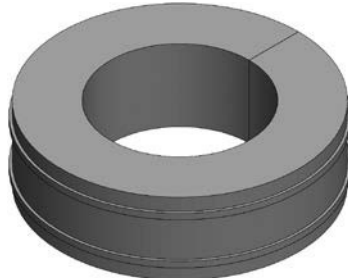
## Entry Port Solutions

### Standard Cable Cushions

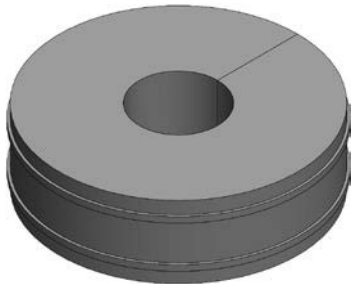
**Application:** Entry Port Solutions  
**Size:** Cable and Elliptical Waveguide  
**Design:** Compression Fit Round Cushions  
**Feature:** Dependable Seal  
**Material:** EPDM Rubber  
**Includes:** Cushion  
**Order Separately:** Boot Assembly, Entry Panel



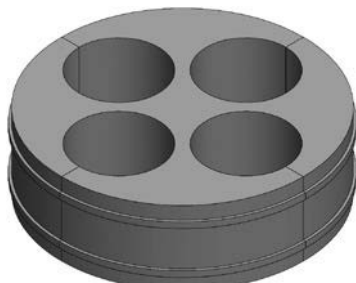
SCRG86



SC1581



SC781



SC784

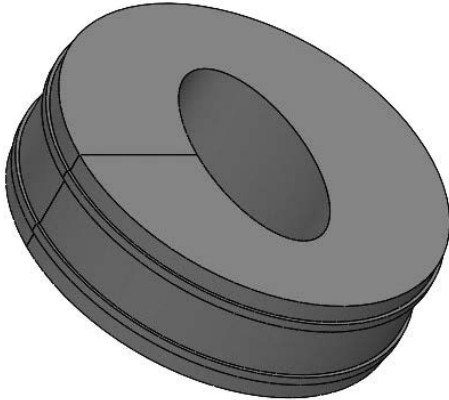
Part #	Description	Kit Qty	Wt. Lbs (Wt. Kg)
SCB-TTC	Standard Port Cushion, Blank (No Holes)	Each	0.4 (0.2)
SC381-TTC	Standard Port Cushion with 1-Hole for 3/8" Cable	Each	0.4 (0.2)
SC383-TTC	Standard Port Cushion with 3-Holes for 3/8" Cable	Each	0.4 (0.2)
SC389-TTC	Standard Port Cushion with 9-Holes for 3/8" Cable	Each	0.4 (0.2)
SC121-TTC	Standard Port Cushion with 1-Hole for 1/2" Cable	Each	0.4 (0.2)
SC122-TTC	Standard Port Cushion with 2-Holes for 1/2" Cable	Each	0.4 (0.2)
SC123-TTC	Standard Port Cushion with 3-Holes for 1/2" Cable	Each	0.4 (0.2)
SC124-TTC	Standard Port Cushion with 4-Holes for 1/2" Cable	Each	0.4 (0.2)
SC125-TTC	Standard Port Cushion with 5-Holes for 1/2" Cable	Each	0.4 (0.2)
SC12F1-TTC	Standard Port Cushion with 1-Hole for 1/2" Flex Cable	Each	0.4 (0.2)
SC12F2-TTC	Standard Port Cushion with 2-Holes for 1/2" Flex Cable	Each	0.4 (0.2)
SC12F3-TTC	Standard Port Cushion with 3-Holes for 1/2" Flex Cable	Each	0.4 (0.2)
SC12F4-TTC	Standard Port Cushion with 4-Holes for 1/2" Flex Cable	Each	0.4 (0.2)
SC581-TTC	Standard Port Cushion with 1-Hole for 5/8" Cable	Each	0.4 (0.2)
SC582-TTC	Standard Port Cushion with 2-Holes for 5/8" Cable	Each	0.4 (0.2)
SC583-TTC	Standard Port Cushion with 3-Holes for 5/8" Cable	Each	0.4 (0.2)
SC584-TTC	Standard Port Cushion with 4-Holes for 5/8" Cable	Each	0.4 (0.2)
SC781-TTC	Standard Port Cushion with 1-Hole for 7/8" Cable	Each	0.4 (0.2)
SC782-TTC	Standard Port Cushion with 2-Holes for 7/8" Cable	Each	0.4 (0.2)
SC783-TTC	Standard Port Cushion with 3-Holes for 7/8" Cable	Each	0.3 (0.1)
SC784-TTC	Standard Port Cushion with 4-Holes for 7/8" Cable	Each	0.2 (0.1)
SC1141-TTC	Standard Port Cushion with 1-Hole for 1-1/4" Cable	Each	0.3 (0.1)
SC1581-TTC	Standard Port Cushion with 1-Hole for 1-5/8" Cable	Each	0.3 (0.1)
SC2141-TTC	Standard Port Cushion with 1-Hole for 2-1/4" Cable	Each	0.3 (0.1)
SCRG2136-TTC	Standard Port Cushion with 6-Holes for RG11, RG213, RG214, 9913, and LMR-400	Each	0.3 (0.1)
SCRG86-TTC	Standard Port Cushion with 6-Holes for RG8 Cable	Each	0.3 (0.1)

\*Additional Cushion Configurations are Available Upon Request

## Entry Port Solutions

### Standard Elliptical Waveguide Cushions

---



Part #	Description	Kit Qty	Wt. Lbs (Wt. Kg)
SC371-TTC	Standard Port Cushion with 1-Hole for WE37	Each	0.3 (0.1)
SC461-TTC	Standard Port Cushion with 1-Hole for WE46	Each	0.3 (0.1)
SC521-TTC	Standard Port Cushion with 1-Hole for EW52 and WE61	Each	0.3 (0.1)
SC631-TTC	Standard Port Cushion with 1-Hole for EW63 and WE65 Elliptical Cable	Each	0.4 (0.2)
SC632-TTC	Standard Port Cushion with 2-Holes for EW63 and WE65	Each	0.4 (0.2)
SC771-TTC	Standard Port Cushion with 1-Hole for EW77, WE78 and E78	Each	0.4 (0.2)
SC851-TTC	Standard Port Cushion with 1-Hole for EW85 and WE108	Each	0.4 (0.2)
SC901-TTC	Standard Port Cushion with 1-Hole for EW90	Each	0.4 (0.2)
SC902-TTC	Standard Port Cushion with 2-Holes for EW90	Each	0.4 (0.2)
SC1271-TTC	Standard Port Cushion with 1-Hole for EW127, WE130 and E130	Each	0.4 (0.2)
SC1501-TTC	Standard Port Cushion with 1-Hole for WE150, EW132 and E150	Each	0.4 (0.2)
SC1801-TTC	Standard Port Cushion with 1-Hole for EW180, WE191 and E185	Each	0.4 (0.2)
SC2201-TTC	Standard Port Cushion with 1-Hole for EW220	Each	0.4 (0.2)

\*Additional Cushion Sizes are Available Upon Request

## Grounding Solutions

### Standard Copper Ground Kits

<b>Application:</b>	Grounding
<b>Size:</b>	Versions for Cable and Elliptical Waveguide
<b>Design:</b>	Bolt-On Style with 5' (1.6m) Lead/Crimp Lug
<b>Mounts to:</b>	Cable Outer Conductor
<b>Material:</b>	Copper or Tinned Copper
<b>Includes:</b>	Ground Kit, Lug, Butyl and Tape



Part #	Description	Kit Qty	Wt. Lbs (Wt. Kg)
GKS38-TTC	Standard Ground Kit for 3/8" Cable	Each	1.7 (0.8)
GKS12-TTC	Standard Ground Kit for 1/2" Cable	Each	1.5 (0.7)
GKS58-TTC	Standard Ground Kit for 5/8" Cable	Each	1.6 (0.7)
GKS78-TTC	Standard Ground Kit for 7/8" Cable	Each	1.7 (0.8)
GKS114-TTC	Standard Ground Kit for 1-1/4" Cable	Each	1.7 (0.8)
GKS158-TTC	Standard Ground Kit for 1-5/8" Cable	Each	1.8 (0.8)
GKS214-TTC	Standard Ground Kit for 2-1/4" Cable	Each	1.7 (0.8)

### Standard Elliptical Waveguide Copper Ground Kits

Part #	Description	Kit Qty	Wt. Lbs (Wt. Kg)
GKS37-TTC	Standard Ground Kit for WE37	Each	2.6 (1.2)
GKS43-TTC	Standard Ground Kit for EW43	Each	2.6 (1.2)
GKS46-TTC	Standard Ground Kit for WE46 and ES46	Each	2.6 (1.2)
GKS52-TTC	Standard Ground Kit for EW52 and WE61	Each	1.8 (0.8)
GKS63-TTC	Standard Ground Kit for EW63 and WE65	Each	2.0 (0.9)
GKS64-TTC	Standard Ground Kit for EW64	Each	2.0 (0.9)
GKS77-TTC	Standard Ground Kit for EW77, WE78 and E78	Each	2.0 (0.9)
GKS85-TTC	Standard Ground Kit for EW85, EW90, WE108	Each	1.7 (0.8)
GKS127-TTC	Standard Ground Kit for EW127, WE130 and E130	Each	1.9 (0.9)
GKS132-TTC	Standard Ground Kit for EW132, WE150 and E130	Each	1.7 (0.8)
GKS180-TTC	Standard Ground Kit for EW180, WE191 and E185	Each	1.7 (0.8)

### Standard Copper, Tinned Ground Kits

Part #	Description	Kit Qty	Wt. Lbs (Wt. Kg)
GKS12T-TTC	Standard Ground Kit, Tinned for 1/2" Cable	Each	1.7 (0.8)
GKS58T-TTC	Standard Ground Kit, Tinned for 5/8" Cable	Each	1.4 (0.6)
GKS78T-TTC	Standard Ground Kit, Tinned for 7/8" Cable	Each	1.5 (0.7)
GKS114T-TTC	Standard Ground Kit, Tinned for 1-1/4" Cable	Each	1.7 (0.8)
GKS158T-TTC	Standard Ground Kit, Tinned for 1-5/8" Cable	Each	1.9 (0.9)
GKS214T-TTC	Standard Ground Kit, Tinned for 2-1/4" Cable	Each	1.7 (0.8)

## Grounding Solutions

### Clip-On Copper Ground Kits

**Application:** Grounding  
**Size:** 1/2" to 2-1/4" Cable  
**Design:** One-Piece Style  
**Feature:** Easy-to-Install Clip Design  
**Mounts to:** Cable Outer Conductor  
**Material:** Copper or Tinned Copper  
**Includes:** Ground Kit, Lug, Butyl Tape



Part #	Description	Kit Qty	Wt. Lbs (Wt. Kg)
GKC12-TTC	Clip-On Ground Kit for 1/2" Cable. Includes 5' (1.5m) Lead with Unattached 3/8" (9.5mm) 2-Hole Lug	Each	1.5 (0.7)
GKC58-TTC	Clip-On Ground Kit for 5/8" Cable. Includes 5' (1.5m) Lead with Unattached 3/8" (9.5mm) 2-Hole Lug	Each	1.7 (0.8)
GKC78-TTC	Clip-On Ground Kit for 7/8" Cable. Includes 5' (1.5m) Lead with Unattached 3/8" (9.5mm) 2-Hole Lug	Each	1.6 (0.7)
GKC114-TTC	Clip-On Ground Kit for 1-1/4" Cable. Includes 5' (1.5m) Lead with Unattached 3/8" (9.5mm) 2-Hole Lug	Each	1.5 (0.7)
GKC158-TTC	Clip-On Ground Kit for 1-5/8" Cable. Includes 5' (1.5m) Lead with Unattached 3/8" (9.5mm) 2-Hole Lug	Each	1.7 (0.8)
GKC214-TTC	Clip-On Ground Kit for 2-1/4" Cable. Includes 5' (1.5m) Lead with Unattached 3/8" (9.5mm) 2-Hole Lug	Each	1.7 (0.8)

\*Additional Versions Available Upon Request

### Clip-On Copper, Tinned Ground Kits

Part #	Description	Kit Qty	Wt. Lbs (Wt. Kg)
GKC12T-TTC	Clip-on Ground Kit, Tinned for 1/2" Cable Includes 5' (1.5m) Lead with Unattached 3/8" (9.5mm) 2-Hole Lug	Each	1.68 (0.76)
GKC58T-TTC	Clip-on Ground Kit, Tinned for 5/8" Cable Includes 5' (1.5m) Lead with Unattached 3/8" (9.5mm) 2-Hole Lug	Each	1.7 (0.77)
GKC78T-TTC	Clip-on Ground Kit, Tinned for 7/8" Cable Includes 5' (1.5m) Lead with Unattached 3/8" (9.5mm) 2-Hole Lug	Each	1.94 (0.88)
GKC114T-TTC	Clip-on Ground Kit, Tinned for 1-1/4" Cable Includes 5' (1.5m) Lead with Unattached 3/8" (9.5mm) 2-Hole Lug	Each	1.65 (0.75)
GKC158T-TTC	Clip-on Ground Kit, Tinned for 1-5/8" Cable Includes 5' (1.5m) Lead with Unattached 3/8" (9.5mm) 2-Hole Lug	Each	1.86 (0.84)
GKC214T-TTC	Clip-on Ground Kit, Tinned for 2-1/4" Cable Includes 5' (1.5m) Lead with Unattached 3/8" (9.5mm) 2-Hole Lug	Each	2.1 (0.95)

### Universal Copper, Tinned Ground Kits

**Application:** Grounding  
**Size:** Fits Cable and Elliptical Waveguide  
**Design:** Coil-Up Installation  
**Feature:** One-Size-Fits-All Design, Tinned Copper Strap  
**Mounts to:** Cable Outer Conductor  
**Material:** Tinned Copper  
**Includes:** Ground Kit, Lug, Butyl Tape



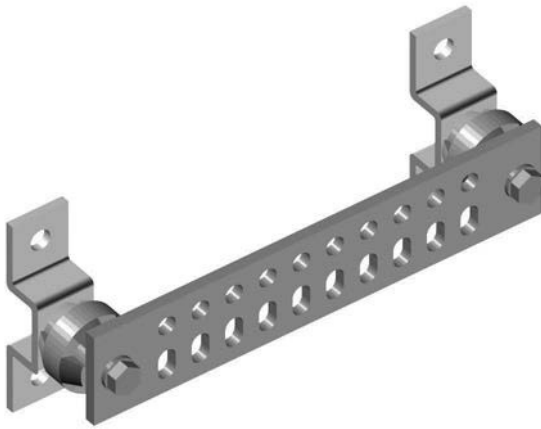
Part #	Description	Kit Qty	Wt. Lbs (Wt. Kg)
GKU2H5UT-TTC	Universal Ground Kit, Tinned Version, Includes 5' (1.5m) Lead with Unattached 1/4" (6.4mm) and 3/8" (9.5mm) 2-Hole Lug	Each	2.0 (0.9)

\*Additional Versions Available Upon Request

## Grounding Solutions

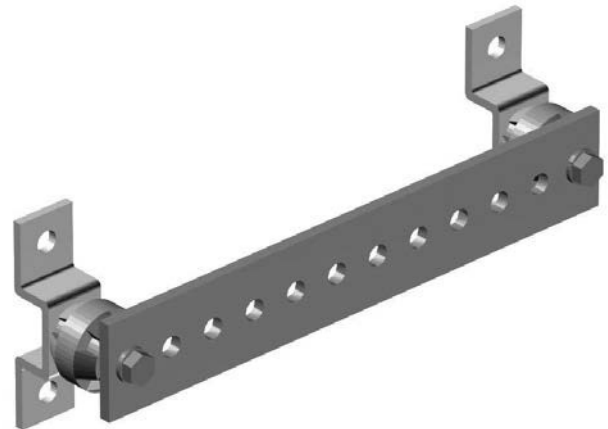
### Ground Buss Bar, 2" x 10"

<b>Application:</b>	Grounding
<b>Size:</b>	1/4" x 2" x 10" (6.3 x 50.8 x 254.0mm)
<b>Design:</b>	Universal Slotted Pattern for 1 or 2 Hole Lugs
<b>Feature:</b>	Ten Pairs each of 7/16" Holes
<b>Mounts to:</b>	Wall or Tower
<b>Material:</b>	Copper or Tinned Copper
<b>Includes:</b>	Bar Only



### Ground Buss Bar, 2" x 12"

<b>Application:</b>	Grounding
<b>Size:</b>	1/4" x 2" x 12" (6.3 x 50.8 x 304.8mm)
<b>Design:</b>	Standard Pattern for One-Hole Lugs
<b>Feature:</b>	Ten 7/16" Holes
<b>Mounts to:</b>	Wall or Tower
<b>Material:</b>	Copper or Tinned Copper
<b>Includes:</b>	Bar Only



Part #	Description	Kit Qty	Wt. Lbs (Wt. Kg)
GB0210NH-TTC	Ground Buss Bar, 1/4" x 2" x 10" (6.4mm x 50.8mm x 254.0mm). Hardware Not Included - Order Separately	Each	1.5 (0.7)
GB0210TNH-TTC	Tinned Ground Buss Bar, 1/4" x 2" x 10" (6.4mm x 50.8mm x 254.0mm). Hardware Not Included - Order Separately	Each	1.5 (0.7)

\*Universal Hardware Versions Available Upon Request

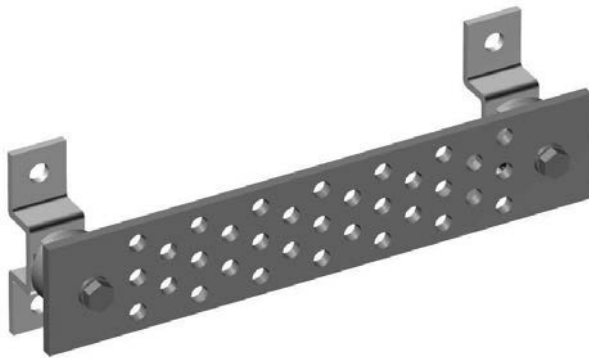
Part #	Description	Kit Qty	Wt. Lbs (Wt. Kg)
GB0212NH-TTC	Ground Buss Bar, 1/4" x 2" x 12" (6.4mm x 50.8mm x 304.8mm). Hardware Not Included - Order Separately	Each	1.8 (0.8)
GB0212TNH-TTC	Tinned Ground Buss Bar, 1/4" x 2" x 12". (6.4mm x 50.8mm x 304.8mm). Hardware Not Included - Order Separately	Each	1.8 (0.8)

\*Universal Hardware Versions Available Upon Request

## Grounding Solutions

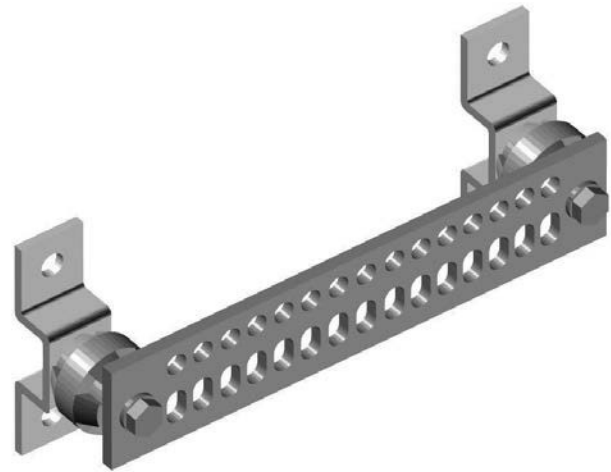
### Ground Buss Bar, 2-1/2" x 12-1/2"

<b>Application:</b>	Grounding
<b>Size:</b>	1/4" x 2-1/2" x 12-1/2" (6.3 x 63.5 x 317.5mm)
<b>Design:</b>	Staggered Pattern for 1 or 2 Hole Lugs
<b>Feature:</b>	Straight or Angled Lug Attachment
<b>Mounts to:</b>	Wall or Tower
<b>Material:</b>	Copper or Tinned Copper
<b>Includes:</b>	Bar Only



### Ground Buss Bar, 2" x 14"

<b>Application:</b>	Grounding
<b>Size:</b>	1/4" x 2" x 14" (6.3 x 50.8 x 355.6mm)
<b>Design:</b>	Universal Slotted Pattern for 1 or 2 Hole Lugs
<b>Feature:</b>	15 Pairs each of 7/16" Holes
<b>Mounts to:</b>	Wall or Tower
<b>Material:</b>	Copper or Tinned Copper
<b>Includes:</b>	Bar Only



Part #	Description	Kit Qty	Wt. Lbs (Wt. Kg)
GB02512NH -TTC	Ground Buss Bar, 1/4" x 2-1/2" x 12-1/2" (6.4mm x 63.5mm x 317.5mm). Hardware Not Included - Order Separately	Each	1.8 (0.8)
GB02512TNH -TTC	Tinned Ground Buss Bar, 1/4" x 2-1/2" x 12-1/2" (6.4mm x 63.5mm x 317.5mm). Hardware Not Included - Order Separately	Each	1.8 (0.8)

\*Universal Hardware Versions Available Upon Request

Part #	Description	Kit Qty	Wt. Lbs (Wt. Kg)
GB0214NH -TTC	Ground Buss Bar, 1/4" x 2" x 14" (6.4mm x 50.8mm x 355.6mm). Hardware Not Included. - Order Separately	Each	2.1 (1.0)
GB0214TNH -TTC	Tinned Ground Buss Bar, 1/4" x 2" x 14" (6.4mm x 50.8mm x 355.6mm). Hardware Not Included - Order Separately	Each	2.1 (1.0)

\*Universal Hardware Versions Available Upon Request

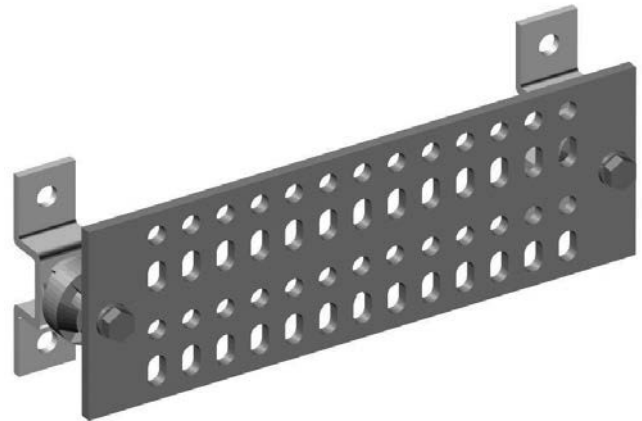
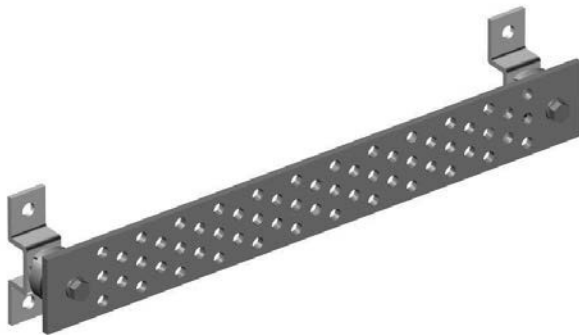
## Grounding Solutions

### Ground Buss Bar, 2-1/2" x 19-1/2"

<b>Application:</b>	Grounding
<b>Size:</b>	1/4" x 2-1/2" x 19-1/2" (6.3 x 63.5 x 495.3mm)
<b>Design:</b>	Staggered Pattern for 1 or 2 Hole Lugs
<b>Feature:</b>	Straight or Angle Lug Attachment
<b>Mounts to:</b>	Wall or Tower
<b>Material:</b>	Copper or Tinned Copper
<b>Includes:</b>	Bar Only

### Ground Buss Bar, 4" x 12"

<b>Application:</b>	Grounding
<b>Size:</b>	1/4" x 4" x 12" (6.3 x 101.6 x 304.8mm)
<b>Design:</b>	Universal Slotted Pattern for 1 or 2 Hole Lugs
<b>Feature:</b>	26 Pairs each of 7/16" Holes
<b>Mounts to:</b>	Wall or Tower
<b>Material:</b>	Copper or Tinned Copper
<b>Includes:</b>	Bar Only



Part #	Description	Kit Qty	Wt. Lbs (Wt. Kg)
GB02519NH-TTC	Ground Buss Bar, 1/4" x 2-1/2" x 19-1/2" (6.4mm x 63.5mm x 495.3mm). Hardware Not Included - Order Separately	Each	3.2 (1.5)
GB02519TNH-TTC	Tinned Ground Buss Bar, 1/4" x 2-1/2" x 19-1/2" (6.4mm x 63.5mm x 495.3mm). Hardware Not Included - Order Separately	Each	3.2 (1.5)

\*Universal Hardware Versions Available Upon Request

Part #	Description	Kit Qty	Wt. Lbs (Wt. Kg)
GB0412NH-TTC	Ground Buss Bar, 1/4" x 4" x 12" (6.3mm x 101.6mm x 304.8mm). Hardware Not Included - Order Separately	Each	3.3 (1.5)
GB0412TNH-TTC	Tinned Ground Buss Bar, 1/4" x 4" x 12" (6.3mm x 101.6mm x 304.8mm). Hardware Not Included - Order Separately	Each	3.3 (1.5)

\*Universal Hardware Versions Available Upon Request

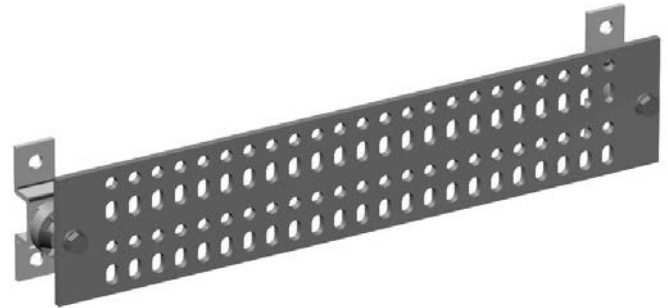
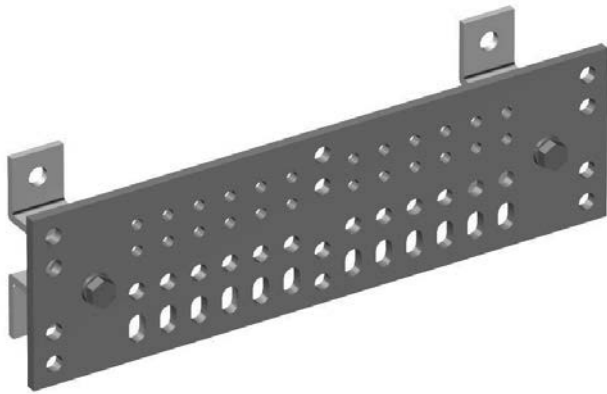
## Grounding Solutions

### Ground Buss Bar, 4" x 14"

<b>Application:</b>	Grounding
<b>Size:</b>	1/4" x 4" x 14" (6.3 x 101.6 x 355.6mm)
<b>Design:</b>	Universal Slotted Pattern for 1 or 2 Hole Lugs
<b>Feature:</b>	12 Pairs each of 7/16" and 1/4" Holes
<b>Mounts to:</b>	Wall or Tower
<b>Material:</b>	Copper or Tinned Copper
<b>Includes:</b>	Bar Only

### Ground Buss Bar, 4" x 20"

<b>Application:</b>	Grounding
<b>Size:</b>	1/4" x 4" x 20" (6.3 x 101.6 x 508.0mm)
<b>Design:</b>	Universal Slotted Pattern for 1 or 2 Hole Lugs
<b>Feature:</b>	45 Pairs each of 7/16" Holes
<b>Mounts to:</b>	Wall or Tower
<b>Material:</b>	Copper or Tinned Copper
<b>Includes:</b>	Bar Only



Part #	Description	Kit Qty	Wt. Lbs (Wt. Kg)
GB0414NH-TTC	Ground Buss Bar, 1/4" x 4" x 14" (6.3mm x 101.6mm x 355.6mm). Hardware Not Included - Order Separately	Each	3.9 (1.8)
GB0414TNH-TTC	Tinned Ground Buss Bar, 1/4" x 4" x 14" (6.3mm x 101.6mm x 355.6mm). Hardware Not Included - Order Separately	Each	3.9 (1.8)

\*Universal Hardware Versions Available Upon Request

Part #	Description	Kit Qty	Wt. Lbs (Wt. Kg)
GB0420NH-TTC	Ground Buss Bar, 1/4" x 4" x 20" (6.3mm x 101.6mm x 508.0mm). Hardware Not Included - Order Separately	Each	3.0 (1.4)
GB0420TNH-TTC	Tinned Ground Buss Bar, 1/4" x 4" x 20" (6.3mm x 101.6mm x 508.0mm). Hardware Not Included - Order Separately	Each	3.0 (1.4)

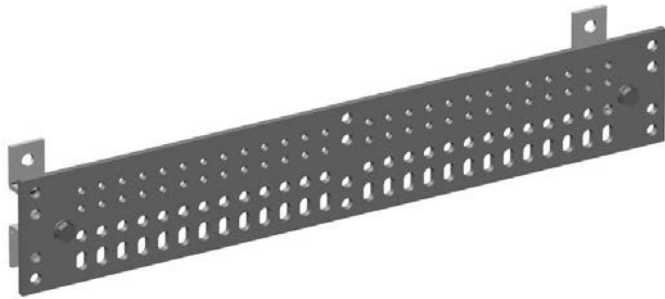
\*Universal Hardware Versions Available Upon Request



## Grounding Solutions

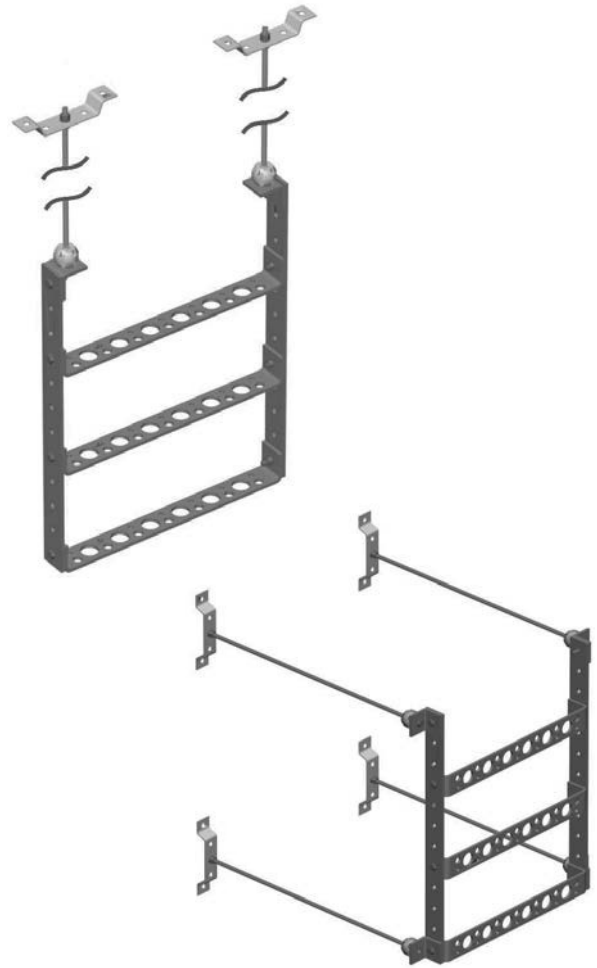
### Ground Buss Bar, 4" x 24"

<b>Application:</b>	Grounding
<b>Size:</b>	1/4" x 4" x 24" (6.3 x 101.6 x 609.6mm)
<b>Design:</b>	Universal Slotted Pattern for 1 or 2 Hole Lugs
<b>Feature:</b>	26 Pairs each of 7/16" and 1/4" Holes
<b>Mounts to:</b>	Wall or Tower
<b>Material:</b>	Copper or Tinned Copper
<b>Includes:</b>	Bar Only



### Arrestor Trapeze Kit

<b>Application:</b>	Grounding
<b>Size:</b>	3 x 6 Hole Pattern
<b>Design:</b>	Common Ground for Lightning Arrestors
<b>Feature:</b>	Accommodates Most Arrestor Styles
<b>Mounts to:</b>	Ceiling or Wall Mounting
<b>Material:</b>	Copper
<b>Includes:</b>	Trapeze, Threaded Rod, Ceiling Brackets



Part #	Description	Kit Qty	Wt. Lbs (Wt. Kg)
GB0424NH-TTC	Ground Buss Bar, 1/4" x 4" x 24" (6.3mm x 101.6mm x 609.6mm). Hardware Not Included - Order Separately	Each	6.5 (3.0)
GB0424TNH-TTC	Tinned Ground Buss Bar, 1/4" x 4" x 24" (6.3mm x 101.6mm x 609.6mm). Hardware Not Included - Order Separately	Each	6.5 (3.0)

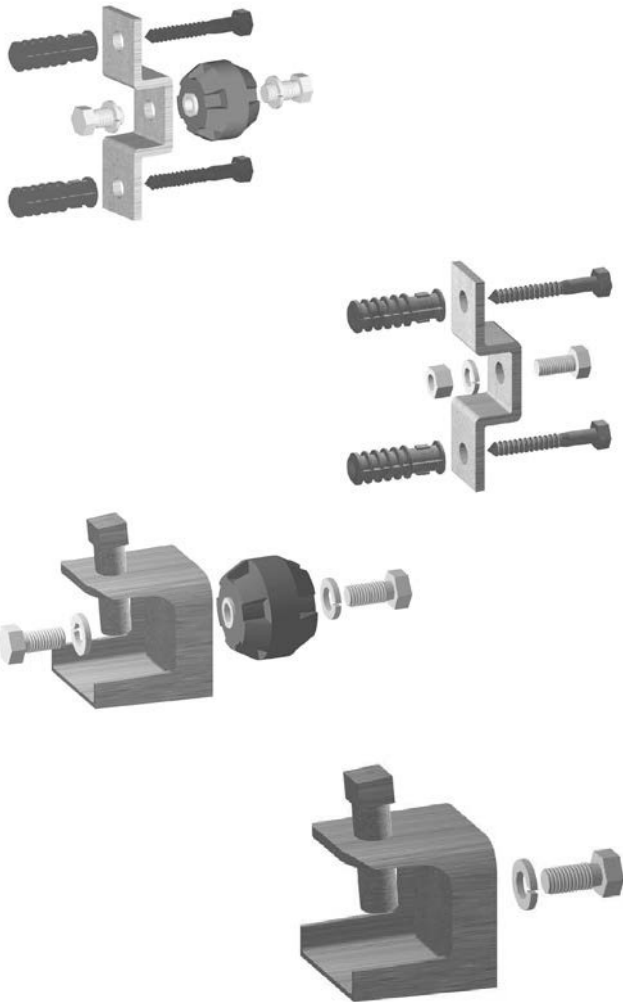
Part #	Description	Kit Qty	Wt. Lbs (Wt. Kg)
ATK306U-TTC	Arrestor Trapeze Kit, 3 x 6	Each	23.3 (9.7)

\*Universal Hardware Versions Available Upon Request

## Grounding Solutions

### Universal Buss Bar Hardware Kit

**Application:** Grounding  
**Feature:** Universal Kit, Multiple Configurations  
**Mounts to:** Wall or Tower  
**Includes:** Wall Brackets, Angle Adapters, Insulators and Hardware

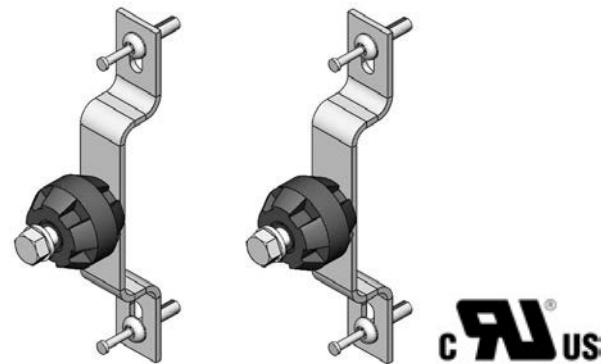


Part #	Description	Kit Qty	Wt. Lbs (Wt. Kg)
GBHKU-TTC	Universal Buss Bar Hardware Kit	Each	3.9 (1.8)

\*Universal Buss Bar Hardware Kits Include Insulators and All Components Necessary to Mount a Buss Bar to a Wall or Tower

### Universal Buss Bar Drive Pin Anchor Hardware Kit

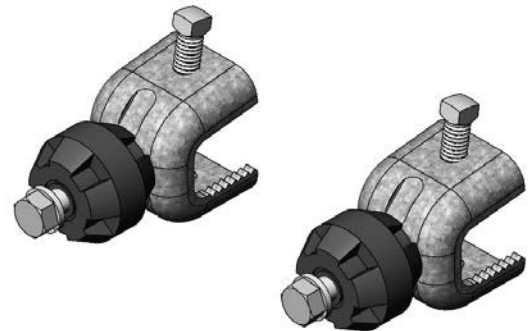
**Application:** Grounding  
**Feature:** Drive Pin Anchor  
**Mounts to:** Wall  
**Material:** Hot Dip Galvanized Steel  
**Includes:** All Brackets, Insulator, Drive Pins and Hardware



Part #	Description	Kit Qty	Wt. Lbs (Wt. Kg)
GBHKDPU-TTC	Universal Buss Bar Drive Pin Anchor Hardware Kit	Each	2.18 (1.0)

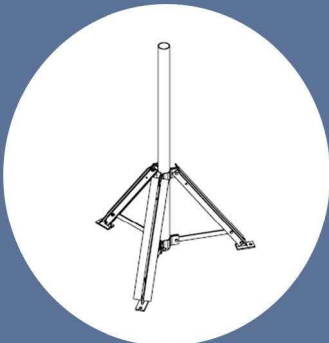
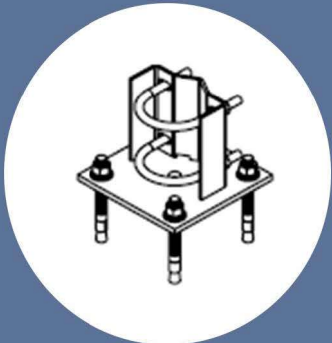
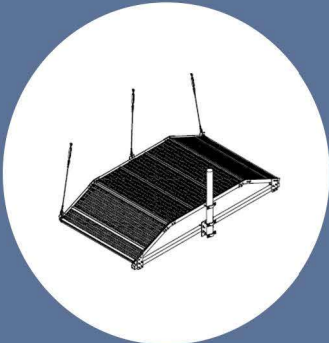
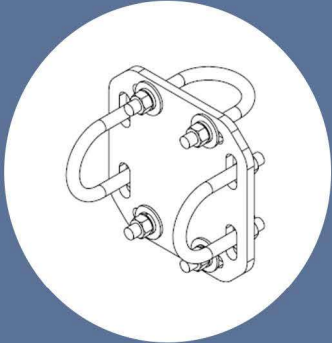
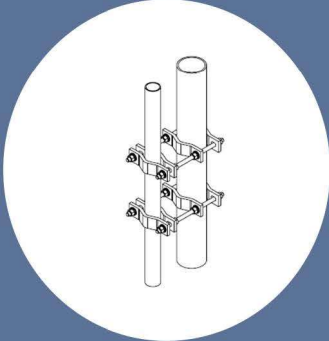
### Buss Bar Hardware Kit for Insulated Tower

**Application:** Grounding  
**Feature:** Insulated Tower  
**Mounts to:** Tower  
**Material:** Galvanized Steel  
**Includes:** Angle Adapters, Insulators and Hardware



Part #	Description	Kit Qty	Wt. Lbs (Wt. Kg)
GBHKIT-TTC	Buss Bar Hardware Kit, Insulated Tower	Each	3.5 (1.6)

# Steel Products

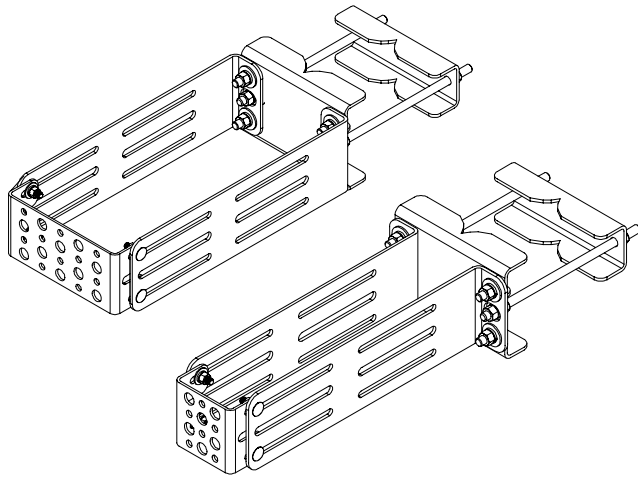


## RRU Support

### RRU Support



**Application:** Radio Mounts  
**Size:** 18" Standoff  
**Design:** Formed Steel  
**Feature:** Adjustable Width  
**Mounts From:** Angled and Round Member up to 5" OD  
**Material:** Hot Dip Galvanized Steel  
**Includes:** Mounting Brackets and Attachment Hardware

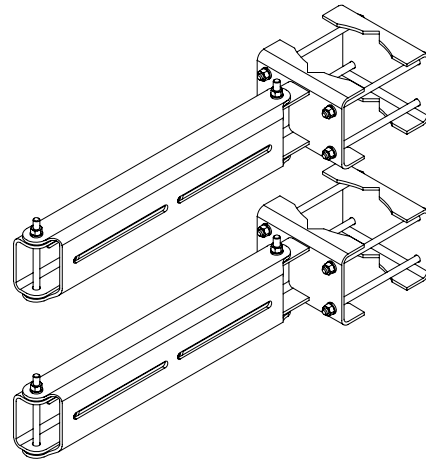


Part #	Description	Kit Qty	Wt. Lbs (Wt. Kg)
RRUMBL-TTC	Universal RRU Mount	Kit of 2	36 (16.3)
RRUMBL3-TTC	Universal RRU Mount	Kit of 3	54 (24.5)

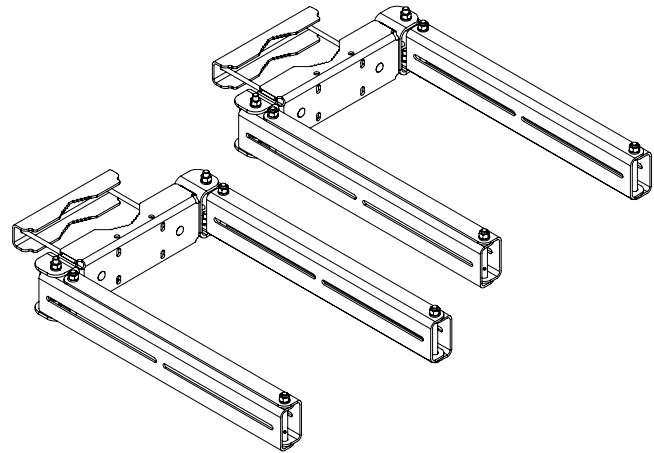
### RRU Dual Swivel Mount



**Application:** Radio Mounts  
**Size:** 21" Standoff  
**Design:** Formed Steel  
**Feature:** Dual Pivot Points  
**Mounts From:** Angled and Round Member up to 5" OD  
**Material:** Hot Dip Galvanized Steel  
**Includes:** Mounting Brackets and Attachment Hardware



Part #	Description	Kit Qty	Wt. Lbs (Wt. Kg)
RRUDSM-TTC	RRU Dual Swivel Mount	Kit of 2	46 (20.8)



Part #	Description	Kit Qty	Wt. Lbs (Wt. Kg)
RRUDPM-TTC	Dual RRU Pivoting Tower Mount	Kit of 2	43.5 (19.7)

## Cable Support

### PIM Blocker™ Alpha Bracket



PIM Blocker™ Alpha Brackets can be assembled in multiple configurations to support cabling between tower top radios and antennas. The primary support bracket mounts to 2-3/8" – 3-1/2" OD pipes via a U-bolt connection. The bracket extenders can be attached in any location allowing optimum flexibility to meet tower top configuration requirements. Each primary or extender bracket is 2" x 2" x 14" and is pre-punched with 7/16" and 3/4" hanger mounting holes to accommodate all styles of cable hangers.

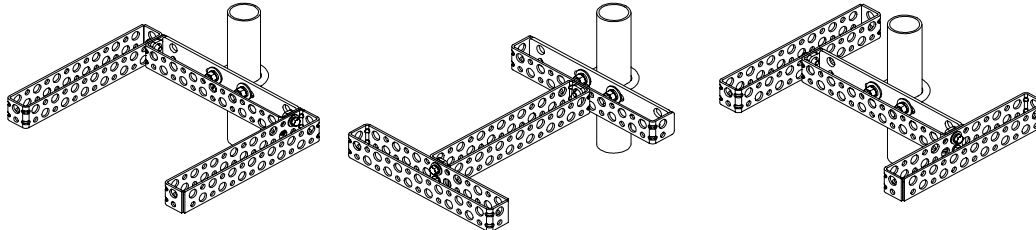
The Alpha Bracket is the most installer friendly and flexible support bracket available in today's market with limitless configurations to meet your installation requirements.

The Alpha Bracket is available in 3 or 4 module kits. Additional extensions may be purchased separately to create larger configurations up to 6 modules total. This unique design provides maximum versatility while protecting from PIM.

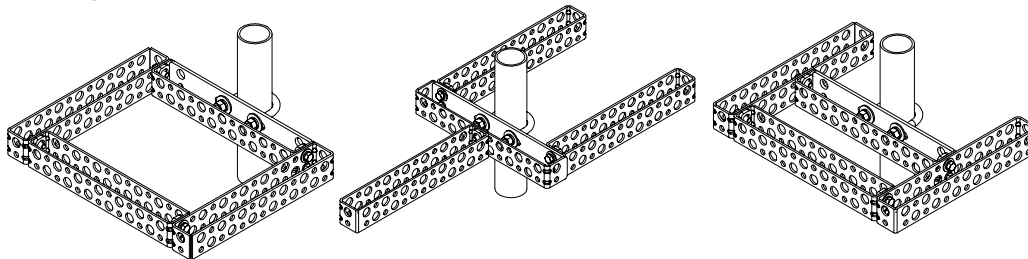
<b>Application:</b>	Cable Support
<b>Size:</b>	2" x 2" x 14" Modules
<b>Design:</b>	Formed Steel
<b>Feature:</b>	Configurable
<b>Mounts to:</b>	2-3/8" to 3-1/2" OD Round Members
<b>Material:</b>	Hot Dip Galvanized Steel
<b>Includes:</b>	Bracket, 2-3/8" and 2-7/8" U-Bolts
<b>Order Separately:</b>	3-1/2" OD U-Bolt

Part #	Description	Kit Qty	Wt. Lbs (Wt. Kg)
PBAB143-TTC	PIM Blocker™ Alpha Bracket 14", 3-Piece configuration	Kit of 1	8.4 (3.8)
PBAB144-TTC	PIM Blocker™ Alpha Bracket 14", 4-Piece configuration	Kit of 1	9.9 (4.5)
PBAB14K01-TTC	PIM Blocker™ Extender Bracket 14"	Kit of 1	2.2 (1)
PBAB14K10-TTC	PIM Blocker™ Extender Bracket 14", Kit of 10	Kit of 10	22 (10)

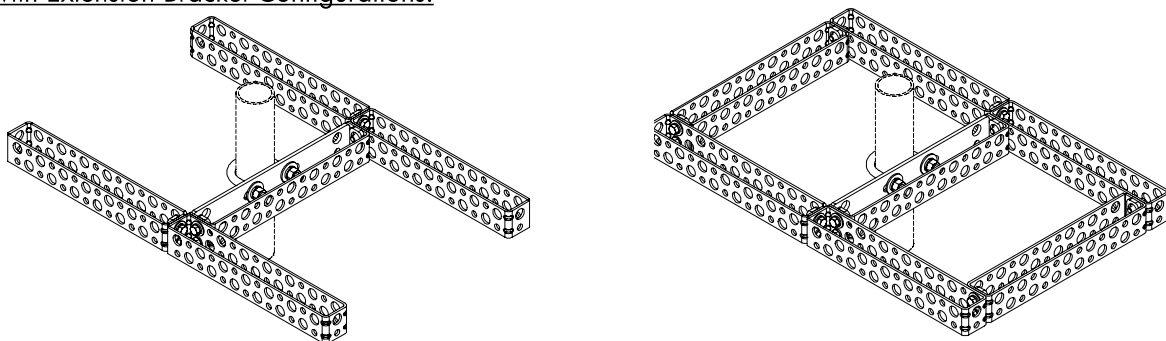
#### PBAB143 Common Configurations:



#### PBAB144 Common Configurations:



#### PBAB143 with Extension Bracket Configurations:



## Cable Support

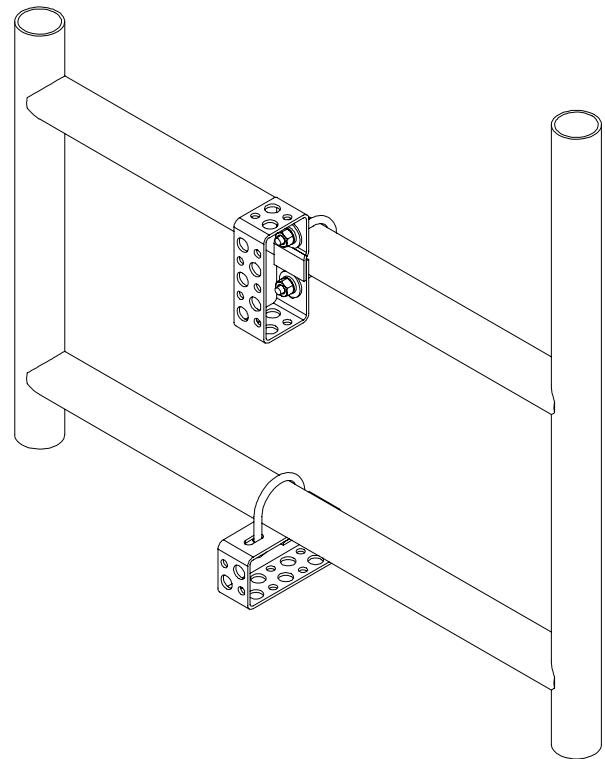
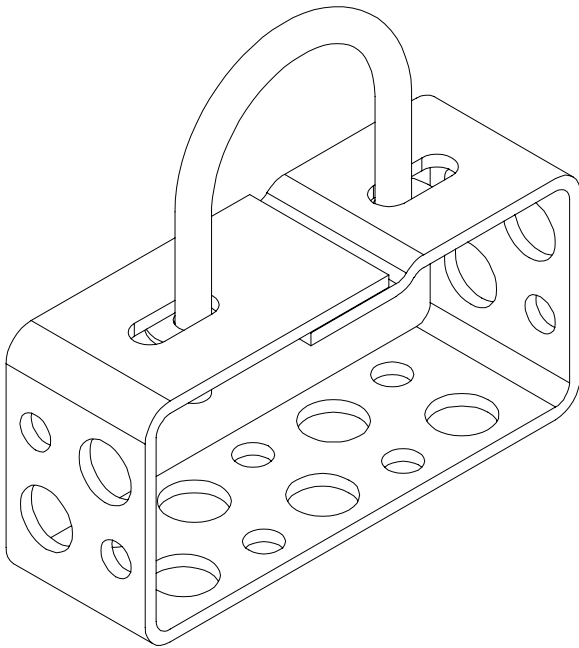
### PIM Blocker™ 9-Position Bracket



The PIM Blocker™ 9-position bracket provides for user friendly tower top cable management. This versatile design allows for cable to be positioned both inside and outside of the bracket while creating a uniform cable bundle. The bracket is attached via a U-bolt connection ensuring maximum strength and PIM Performance. The design of the 9-position bracket allows the cable bundle to be oriented away from climber access points minimizing tower top obstructions. Pre-punched 7/16" and 3/4" mounting holes accommodate all cable hanger styles. This user-friendly design provides simplified installation while protecting the system from PIM.

Application:	Cable Support
Size:	3" x 6-1/4" x 2"
Design:	Formed Steel
Feature:	Configurable
Mounts to:	2-3/8" to 3-1/2" OD Round Members
Material:	Hot Dip Galvanized Steel
Includes:	Bracket, 2-3/8" and 2-7/8" U-Bolts
Order Separately:	3-1/2" OD U-Bolt

Part #	Description	Kit Qty	Wt. Lbs (Wt. Kg)
PBPM09-TTC	PIM Blocker™ 9-Position Bracket	Kit of 1	1.65 (0.75)
PBPM09K10-TTC	PIM Blocker™ 9-Position Bracket, Kit of 10	Kit of 10	16.5 (7.5)

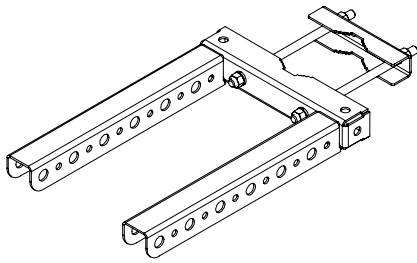


## Cable Support

### Cable Support Bracket



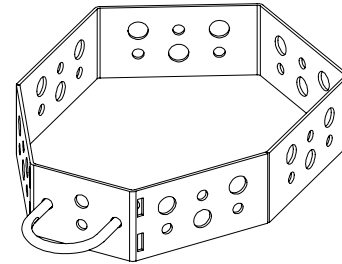
**Application:** Cable Support  
**Size:** 16" Standoff  
**Design:** Formed Steel  
**Feature:** Robust Cable Support  
**Mounts to:** 1.9" - 4.5" OD Round Members  
**Material:** Hot Dip Galvanized Steel  
**Includes:** Mounting Brackets and Attachment Hardware



Part #	Description	Kit Qty	Wt. Lbs (Wt. Kg)
ACSD24-TTC	Dual Leg Cable Support Bracket fits 1.9"-4.5" OD Pipes	Kit of 1	15.65 (7.1)

### Cluster Support Brackets

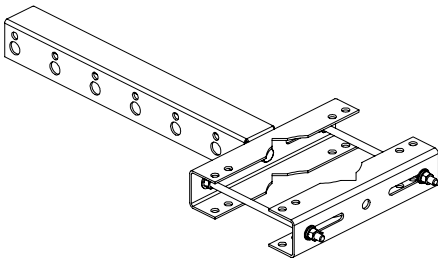
**Application:** Cable Support  
**Size:** 7/16" and 3/4" Holes  
**Design:** Formed Steel  
**Feature:** Organizes Cable into Reduced Footprint  
**Material:** Hot Dip Galvanized Steel  
**Includes:** Brackets  
**Order Separately:** U-bolt, Angle Adapters



Part #	Description	Kit Qty	Wt. Lbs (Wt. Kg)
CSBL-TTC	Large Cluster Support Bracket	Each	4 (2)

### Star Support Brackets

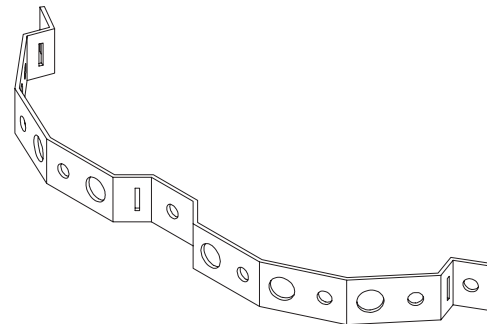
**Application:** Cable Support  
**Size:** 7/16" and 3/4" Holes  
**Design:** Formed Steel  
**Feature:** Universal Attachment  
**Mounts to:** Angled or Round Members  
**Material:** Hot Dip Galvanized Steel  
**Includes:** Brackets and Hardware



Part #	Description	Kit Qty	Wt. Lbs (Wt. Kg)
SSTB2550-TTC	Star Support T Bracket 1-1/2" OD to 5-9/16" OD Round Members and 2-1/2" to 5" Angle Members	Each	8 (4)
SSTB6080-TTC	Large Star Support T Bracket 4" OD to 10-3/4" OD Round Members or 4" to 8" Angle Members	Each	10 (5)

### Universal Round Member Support Bracket

**Application:** Cable Support  
**Size:** 7/16" and 3/4" Holes  
**Design:** Formed Steel  
**Feature:** Ideal for Pole Co-Location  
**Mounts to:** Large Round Members  
**Material:** Hot Dip Galvanized Steel  
**Includes:** Brackets  
**Order Separately:** Banding

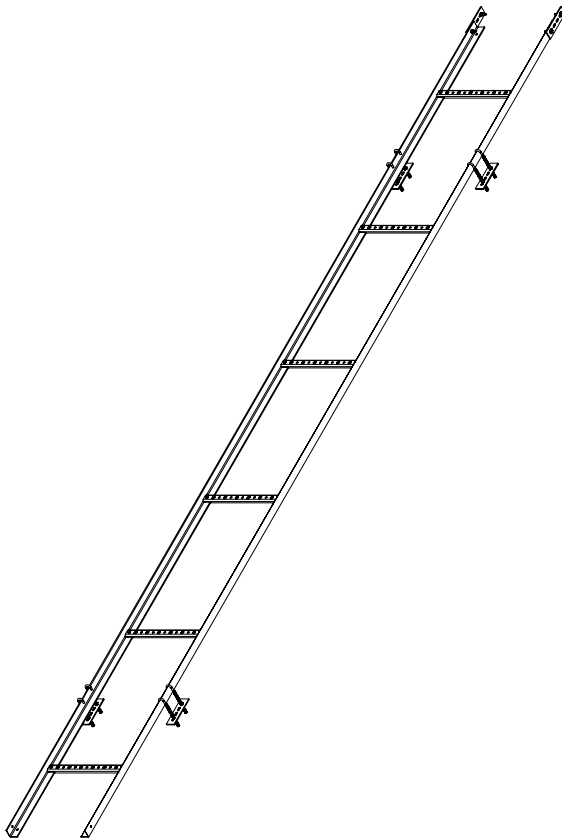


Part #	Description	Kit Qty	Wt. Lbs (Wt. Kg)
RMUSBG-TTC	Universal Round Member Support Bracket	Kit of 10	13 (6)

## Cable Support

### Cable Ladder

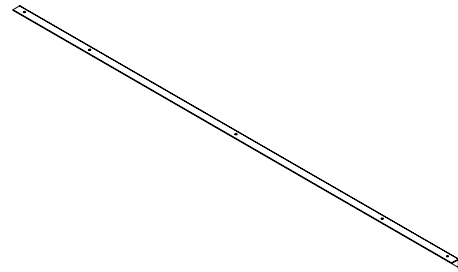
**Application:** Cable Support  
**Size:** 10' and 20' in Two Widths  
**Design:** Formed Steel  
**Feature:** Complete Kit Universal Attachment  
**Mounts to:** Round and Angle Members  
**Material:** Hot Dip Galvanized Steel  
**Includes:** Universal Kits Include Splice Kits, Ladder Rail, Rungs, Tower Attachment and Hardware



Part #	Description	Kit Qty	Wt. Lbs (Wt. Kg)
CL0610U-TTC	Six-Hole Rung 10' Cable Ladder (Universal Hardware Included)	Each	43.6 (20)
CL0620U-TTC	Six-Hole Rung 20' Cable Ladder (Universal Hardware Included)	Each	82.7 (38)
CL0910U-TTC	Nine-Hole Rung 10' Cable Ladder (Universal Hardware Included)	Each	46.6 (21)
CL0920U-TTC	Nine-Hole Rung 20' Cable Ladder (Universal Hardware Included)	Each	87.7 (40)

### Cable Ladder Side Rail

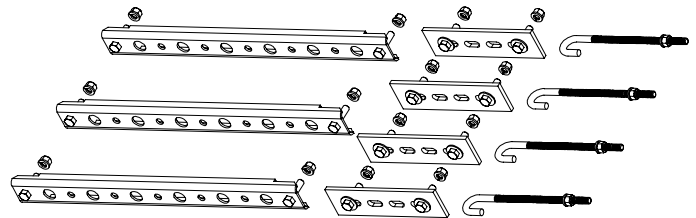
**Application:** Cable Support  
**Size:** 1-1/2" x 1-1/2" x 1/8"  
**Material:** Hot Dip Galvanized Steel  
**Includes:** Side Rail Only



Part #	Description	Kit Qty	Wt. Lbs (Wt. Kg)
CL1001-TTC	Cable Ladder, 10' Side Rail	Each	x.x (x.x)
CL2001-TTC	Cable Ladder, 20' Side Rail	Each	x.x (x.x)

### Cable Ladder Hardware Kits

**Application:** Cable Support  
**Feature:** Complete Hardware Kit  
**Material:** Hot Dip Galvanized Steel  
**Includes:** Universal Kits Include Splice Kits, Rungs Tower Attachment and Hardware  
**Order Separately:** Side Rails



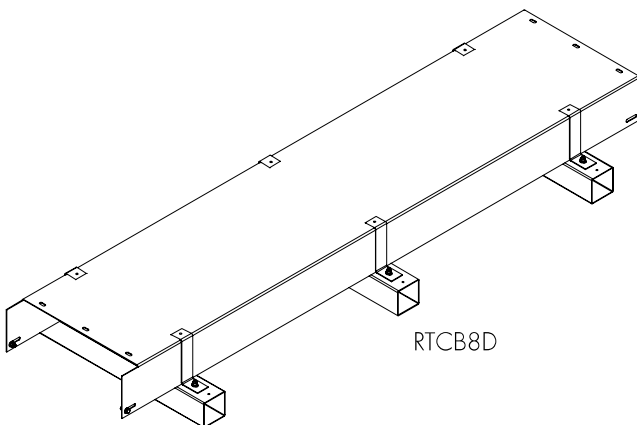
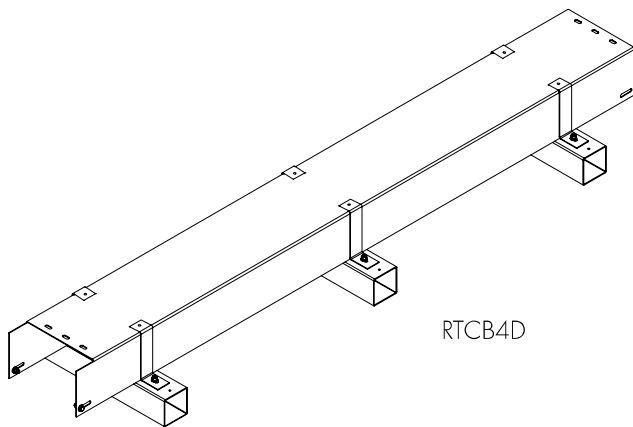
Part #	Description	Kit Qty	Wt. Lbs (Wt. Kg)
CL0610UHK-TTC	Cable Ladder Hardware Kit, for 6 Hole, 10' Ladder Hardware Kit	Each	x.x (x.x)
CL0620UHK-TTC	Cable Ladder Hardware Kit, for 6 Hole, 20' Ladder Hardware Kit	Each	x.x (x.x)
CL0910UHK-TTC	Cable Ladder Hardware Kit, for 9 Hole, 10' Ladder Hardware Kit	Each	x.x (x.x)
CL0920UHK-TTC	Cable Ladder Hardware Kit, for 9 Hole, 20' Ladder Hardware Kit	Each	x.x (x.x)



## Cable Support

### Roof-Top Bridge Kits

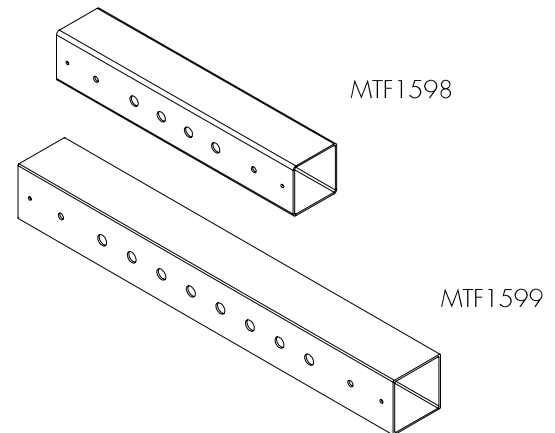
**Application:** Roof-Tops and Cable Support  
**Size:** 8' Length  
**Design:** Self Splicing Cover with PVC Sleepers  
**Feature:** Adjustable Low Profile Design  
**Mounts to:** Non-Penetrating  
**Material:** Hot Dip Galvanized Steel, PVC  
**Includes:** Cover with 3 Sleepers and All Attachment Hardware  
**Order Separately:** Adjustable Splice



Part #	Description	Kit Qty	Wt. Lbs (Wt. Kg)
RTCB4D-TTC	Roof-Top Bridge Kit, 4 Stackable Cable Runs, Self Splicing, 7" Depth Cover	Each	99 (45)
RTCB8D-TTC	Roof-Top Bridge Kit, 8 Stackable Cable Runs, Self Splicing, 7" Depth Cover	Each	134 (61)

### Roof Top Bridge Kit Accessories

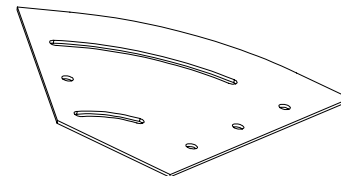
**Application:** Roof-Tops  
**Design:** Bridge Accessories  
**Mounts to:** Non-Penetrating  
**Material:** Rubber and PVC



Part #	Description	Kit Qty	Wt. Lbs (Wt. Kg)
MTF1598-TTC	PVC Roof Sleeper for 4 Runs of Cable 4" x 4" x 22"	Each	3 (1)
MTF1599-TTC	PVC Roof Sleeper for 8 Runs of Cable 4" x 4" x 32"	Each	6 (3)
CTP4-TTC	Rubber Sleeper Pad 1/4" Thick x 4" Width x 10' Roll	Each	6 (3)

### Adjustable Splice

**Application:** Roof Top Cable Support  
**Size:** 4 and 8 Run Bridge Kits  
**Feature:** Adjustable Splice 45°  
**Material:** Hot Dip Galvanized Steel  
**Includes:** Splice and Hardware



Part #	Description	Kit Qty	Wt. Lbs (Wt. Kg)
MTF1573-TTC	Adjustable Splice for 4 Run Bridge Kits	Each	0.5 (0.2)
MTF1574-TTC	Adjustable Splice for 8 Run Bridge Kits	Each	0.7 (0.3)

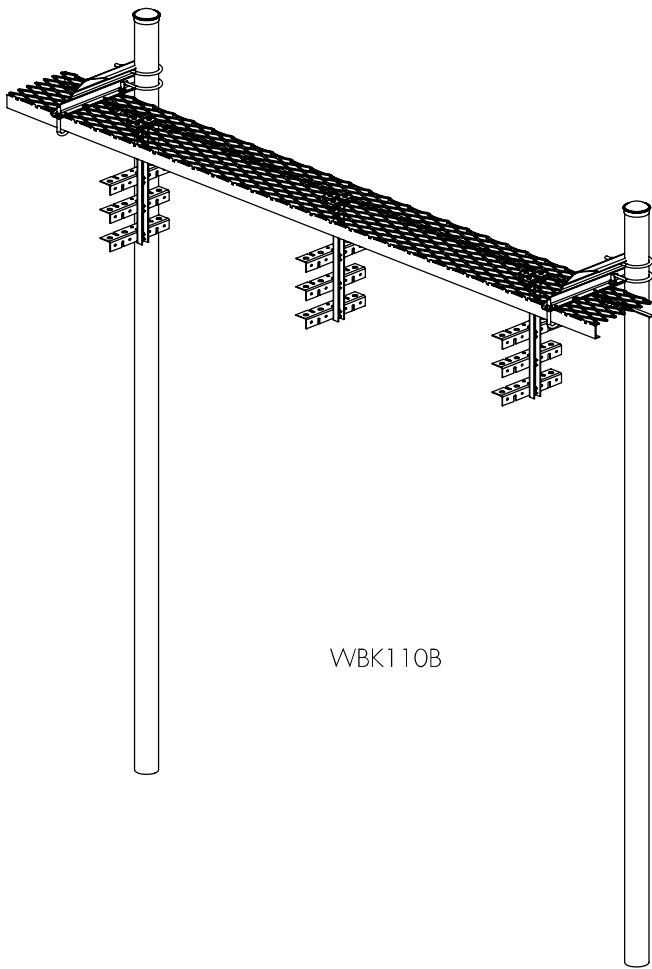
## Waveguide Bridge

### 12" Safety Grated Bridge Kits

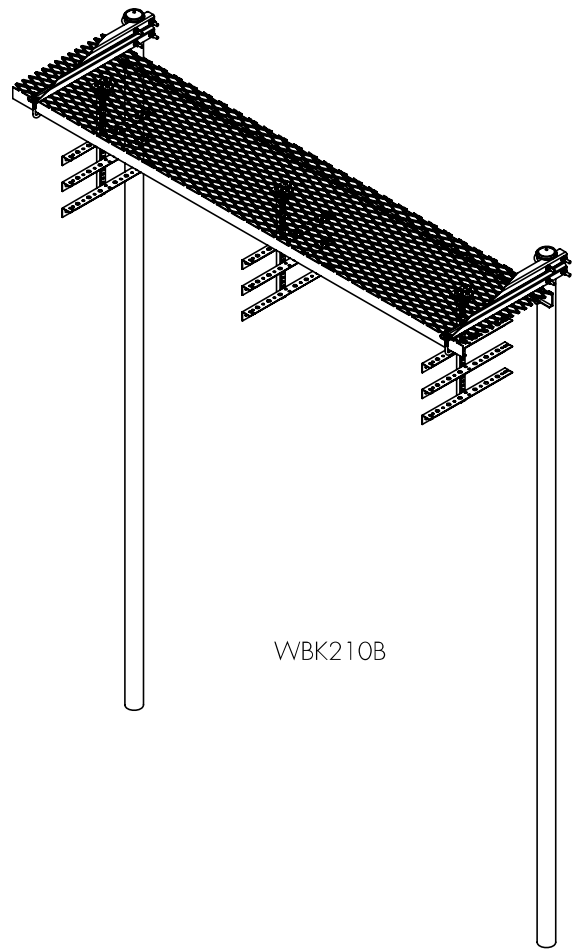
**Application:** Waveguide Bridge Kits  
**Size:** 12" Width x 10' Length  
**Design:** 14 Gage Safety Grated, 3" Side Rail  
**Feature:** Direct Burial or Removable Base Shoe  
**Material:** Hot Dip Galvanized Steel  
**Includes:** Complete Bridge Kit  
**Order Separately:** Additional Accessories

### 24" Safety Grated Bridge Kits

**Application:** Waveguide Bridge Kits  
**Size:** 24" Width x 10' Length  
**Design:** 14 Gage Safety Grated, 3" Side Rail  
**Feature:** Direct Burial or Removable Base Shoe  
**Material:** Hot Dip Galvanized Steel  
**Includes:** Complete Bridge Kit  
**Order Separately:** Additional Accessories



WBK110B



WBK210B

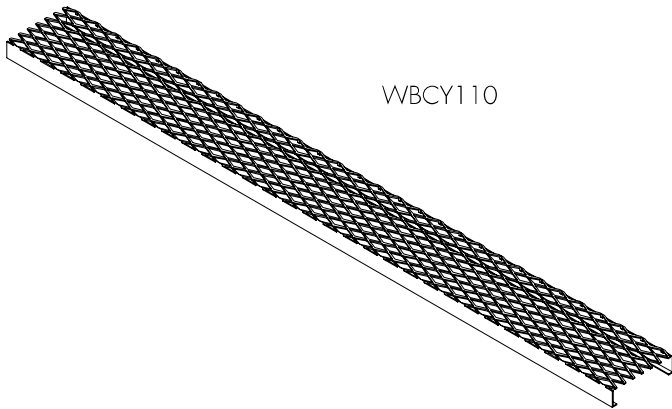
Part #	Description	Kit Qty	Wt. Lbs (Wt. Kg)
WBK110B-TTC	12" x 10' Safety Grated Waveguide Bridge Kit with Triple Trapeze and Two (2) 13'-4" Direct Burial Posts	Each	253 (115)
WBK110S-TTC	12" x 10' Safety Grated Waveguide Bridge Kit with Triple Trapeze and Two (2) 10'-6" Base Shoe Posts (Removable Base Shoe)	Each	220 (100)

Part #	Description	Kit Qty	Wt. Lbs (Wt. Kg)
WBK210B-TTC	24" x 10' Safety Grated Waveguide Bridge Kit with Triple Trapeze and Two (2) 13'-4" Direct Burial Posts	Each	295 (134)
WBK210S-TTC	24" x 10' Safety Grated Waveguide Bridge Kit with Triple Trapeze and Two (2) 10'-6" Base Shoe Posts (Removable Base Shoe)	Each	262 (119)

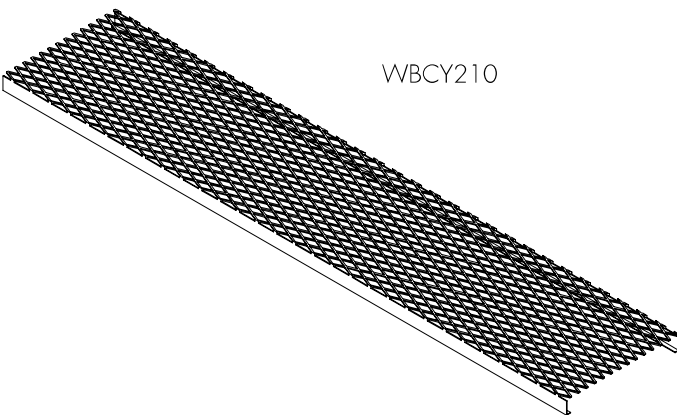
## Waveguide Bridge

### Safety Grip Strut

Application:	Waveguide Bridge
Size:	12" and 24" Width, 10' Length
Design:	Formed Steel
Feature:	3" Side Rail, Safety Grate
Material:	Hot Dip Galvanized Steel
Includes:	Grating
Order Separately:	Mounting Accessories



WBCY110

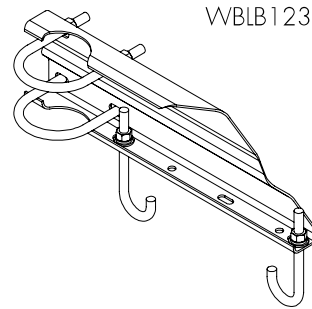


WBCY210

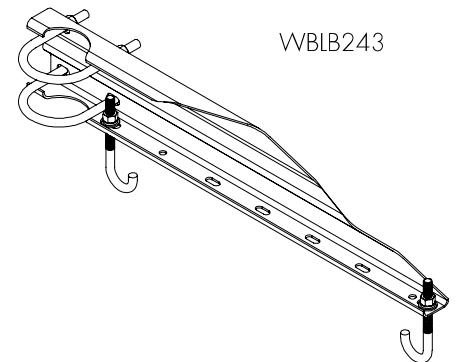
Part #	Description	Kit Qty	Wt. Lbs (Wt. Kg)
WBCY110-TTC	Safety Grip Strut, 12" x 10', 14 Gauge	Each	70 (31.7)
WBCY210-TTC	Safety Grip Strut, 24" x 10', 14 Gauge	Each	127 (57.6)

### Waveguide Bridge Support Brackets

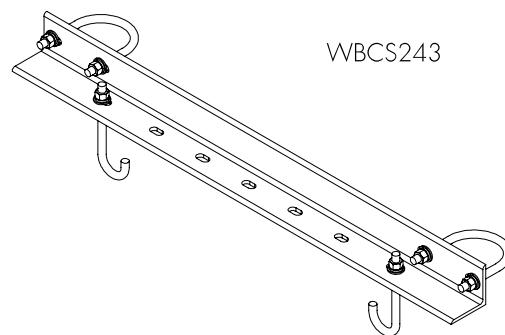
Application:	Waveguide Bridge
Size:	12" and 24"
Design:	Formed Steel
Material:	Hot Dip Galvanized Steel
Includes:	U-Bolts, Bracket and Mounting Hardware
Order Separately:	Posts, Bridge Channel and Additional Accessories



WBLB123



WBLB243



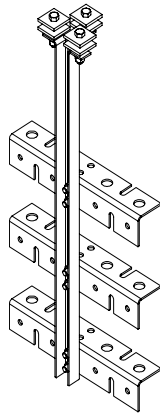
WBCS243

Part #	Description	Kit Qty	Wt. Lbs (Wt. Kg)
WBLB123-TTC	12" Waveguide Bridge Support Bracket	Each	12 (5)
WBLB243-TTC	24" Waveguide Bridge Support Bracket	Each	21 (10)
WBCS243-TTC	24" Waveguide Bridge Support Angle for Four Post Bridge Kits	Each	18 (8)

## Waveguide Bridge

### T-Style Trapeze Kits

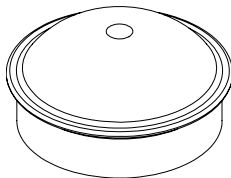
**Application:** Waveguide Bridge  
**Size:** 12" and 24" Widths  
**Design:** T-Style with 3/4" and 7/16" Holes  
**Feature:** Ease of Installation  
**Material:** Hot Dip Galvanized Steel  
**Includes:** Mounting Angles and Hardware  
**Order Separately:** Additional Mounting Accessories



Part #	Description	Kit Qty	Wt. Lbs (Wt. Kg)
WBT123-TTC	12" Wide T-Style Trapeze Kit, Three Rung	Each	9 (4)
WBT243-TTC	24" Wide T-Style Trapeze Kit, Three Rung	Each	13 (6)

### Pipe Caps

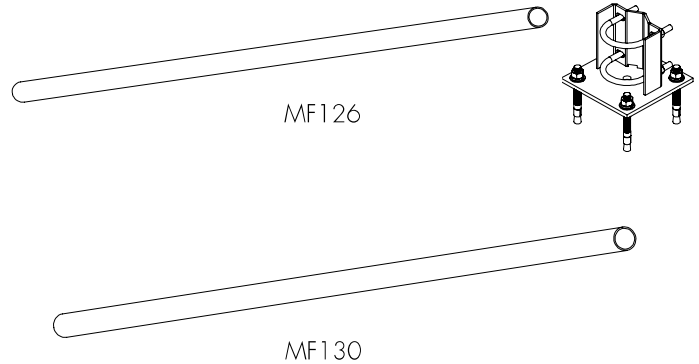
**Application:** Waveguide Bridge  
**Design:** Slip-On  
**Material:** Hot Dip Galvanized Steel  
**Order Separately:** Waveguide Bridge Posts



Part #	Description	Kit Qty	Wt. Lbs (Wt. Kg)
PC034-TTC	3-1/2" OD Post Cap	Each	0.8 (0.4)

### Waveguide Bridge Posts

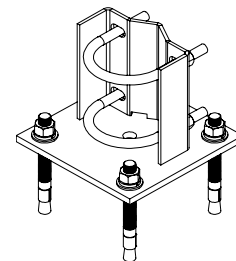
**Application:** Waveguide Bridge  
**Size:** 3-1/2" OD  
**Design:** Schedule 40 Pipe  
**Material:** Hot Dip Galvanized Steel  
**Order Separately:** Channel, Brackets and Additional Accessories



Part #	Description	Kit Qty	Wt. Lbs (Wt. Kg)
MF126-TTC	10'-6" Long, 3-1/2" OD, Base Shoe Post with Anchors	Kit of 1	86 (39)
MF130-TTC	13'-4" Long 3-1/2" OD, Direct Burial Post	Each	108 (49)

### Base Shoe Adapter Kit

**Application:** Waveguide Bridge  
**Size:** 4" x 4" Plate  
**Design:** Formed Steel  
**Feature:** Fits 3-1/2" OD Pipe  
**Material:** Hot Dip Galvanized Steel  
**Includes:** Base Shoe, Anchors, U-Bolts

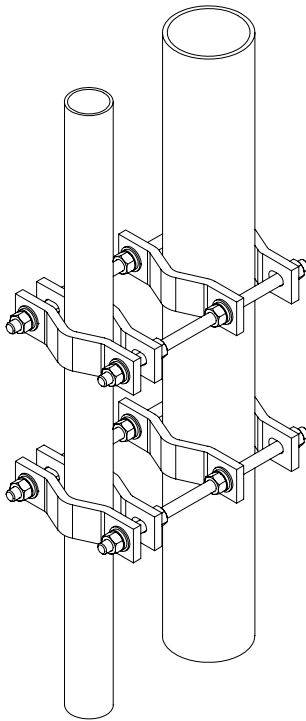


Part #	Description	Kit Qty	Wt. Lbs (Wt. Kg)
WBBS-TTC	Base Shoe Adapter Kit for 3-1/2" OD Pipe, Includes Anchors	Each	0.8 (0.4)

## Antenna Mounts

### Pipe to Pipe Clamp Sets

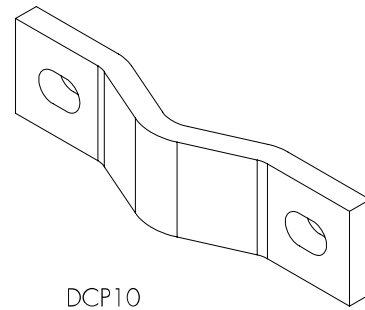
**Application:** Antenna Mounting  
**Size:** 4 Versions  
**Design:** Formed Clamps and 1/2" Threaded Rod  
**Mounts to:** Various Ranges, See Descriptions  
**Material:** Hot-Dip Galvanized Steel  
**Includes:** Half Clamps and Threaded Rods  
**Order Separately:** Antenna Mounting Pipe or Stand-Off Brackets



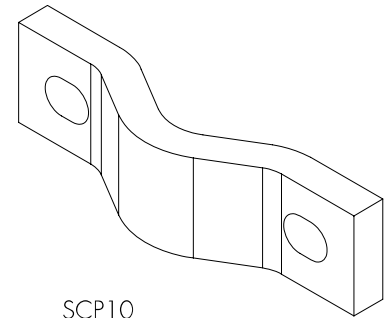
Part #	Description	Kit Qty	Wt. Lbs (Wt. Kg)
BC2010-TTC	Vertical Pipe to Pipe Adaptor Joins Two 1-1/2" OD to 3-1/2" Pipes	Kit of 2	9 (4)
BC3010-TTC	Heavy Duty Vertical Pipe to Pipe Adaptor Joins Two 1-1/2" OD to 3-1/2" Pipes	Kit of 2	13 (6)
BC3514-TTC	Heavy Duty Vertical Pipe to Pipe Adaptor Joins Two 2-3/8" OD to 5" Pipes	Kit of 2	28 (13)
BC4016-TTC	Heavy Duty Vertical Pipe to Pipe Adaptor Joins Two 4" to 9" Pipes	Kit of 2	36 (16)

### Clamp Half

**Application:** Antenna Mounting  
**Design:** Formed Clamps  
**Material:** Hot-Dip Galvanized Steel  
**Includes:** Clamp  
**Order Separately:** 1/2" Threaded Rod



DCP10



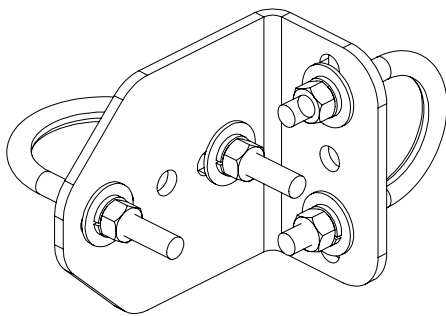
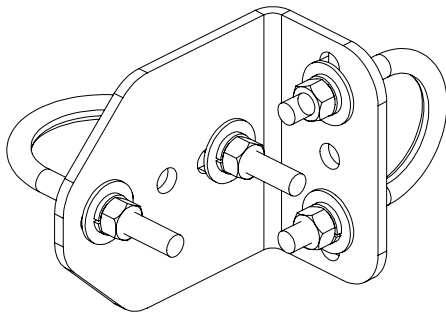
SCP10

Part #	Description	Kit Qty	Wt. Lbs (Wt. Kg)
ACP10-TTC	Clamp Half, 1-1/2" to 3-1/2" OD Pipe, Utilizes 1/2" Threaded Rod	Each	0.55 (0.25)
DCP10-TTC	Clamp Half, 1-1/2" to 5" OD Pipe, Utilizes 5/8" Threaded Rod	Each	1.89 (0.89)
SCP10-TTC	Clamp Half, 1-1/2" to 3-1/2" OD Pipe, Utilizes 1/2" Threaded Rod	Each	1.1 (0.5)

## Antenna Mounts

### Crossover Angles

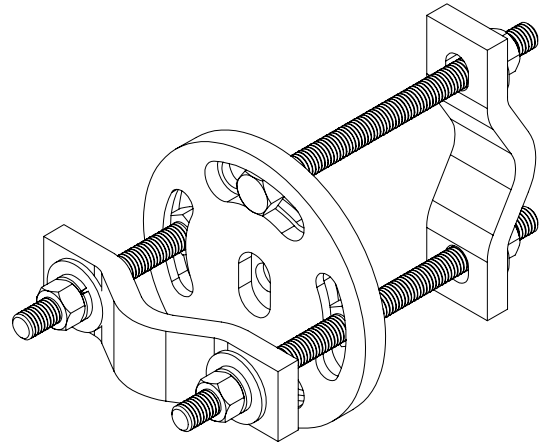
**Application:** Antenna Mounting  
**Design:** Formed Steel  
**Feature:** Ease of Installation  
**Mounts to:** Round Members  
**Material:** Hot-Dip Galvanized Steel  
**Includes:** U-Bolt with Cross Angle  
**Order Separately:** Antenna Mounting Pipe



Part #	Description	Kit Qty	Wt. Lbs (Wt. Kg)
XA2020-TTC	Crossover Angle, 2-3/8" OD to 2-3/8" OD Round Members	Kit of 2	3.97 (1.8)
XA2030-TTC	Crossover Angle, 2-3/8" OD to 2-7/8" OD Round Members	Kit of 2	3.97 (1.8)

### Puck Crossover Plate

**Application:** Antenna Mounting  
**Design:** Clamps and Bolts With Flat Plate  
**Feature:** Joins 2-3/8" to 3-1/2" OD Round Members  
**Material:** Hot-Dip Galvanized Steel  
**Includes:** Clamps, Bolt Assemblies and Flat Plate



Part #	Description	Kit Qty	Wt. Lbs (Wt. Kg)
PCC4-TTC	Puck Crossover Clamp Kit, Joins range of 2-3/8" to 3-1/2" OD Round Members	Each	6 (2.72)

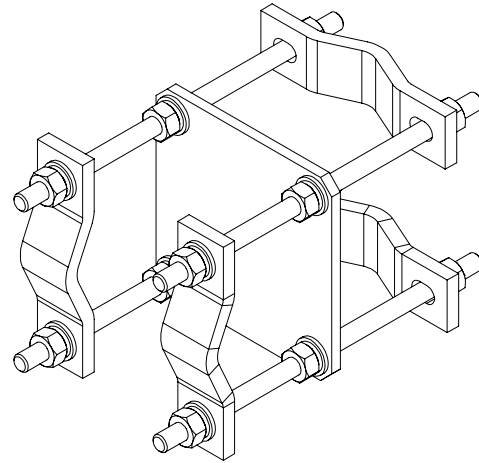
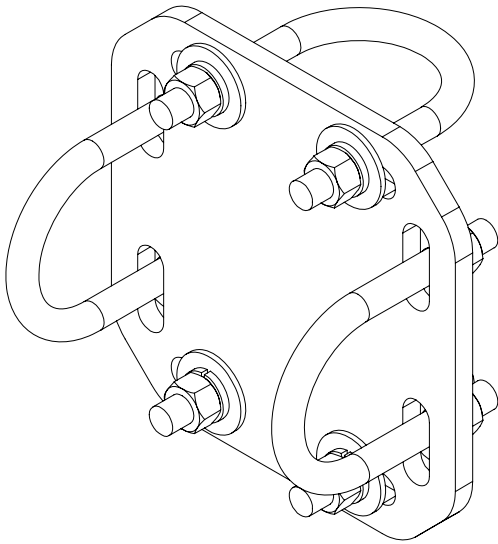
## Antenna Mounts

### Crossover Plates

**Application:** Antenna Mounting  
**Size:** 7 Sizes  
**Design:** Fabricated Steel  
**Feature:** Ease of Installation  
**Mounts to:** Round Members  
**Material:** Hot-Dip Galvanized Steel  
**Includes:** U-Bolt with Flat Plate  
**Order Separately:** Antenna Mounting Pipe

### Universal Crossover Clamp

**Application:** Antenna Mounting  
**Size:** 2" to 5" OD Members  
**Design:** Fabricated Steel  
**Feature:** Universal  
**Mounts to:** Antenna Pipe  
**Material:** Hot Dip Galvanized Steel  
**Includes:** Plate, Clamps and Hardware  
**Order Separately:** Antenna Mounting Pipe



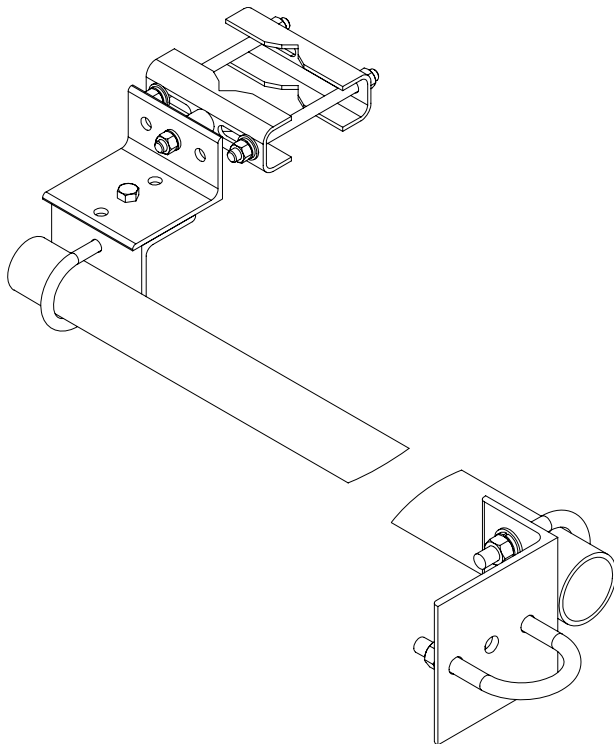
Part #	Description	Kit Qty	Wt. Lbs (Wt. Kg)
XP2020-TTC	Crossover Plate, 2-3/8" to 2-3/8" OD Round Members	Each	11.02 (5)
XP2025-TTC	Cross Over Plate, 2-3/8" to 2-7/8" OD Round Members	Each	11.02 (5)
XP2030-TTC	Crossover Plate, 2-3/8" to 3-1/2" OD Round Members	Each	12 (5)
XP2040-TTC	Crossover Plate, 2-3/8" to 4-1/2" OD Round Members	Each	12.5 (6)
XP2525-TTC	Crossover Plate, 2-7/8" to 2-7/8" OD Round Members	Each	11.02 (5)
XP2530-TTC	Crossover Plate, 2-7/8" to 3-1/2" OD Round Members	Each	12.5 (6)
XP3030-TTC	Crossover Plate, 3-1/2" to 3-1/2" OD Round Members	Each	13 (6)

Part #	Description	Kit Qty	Wt. Lbs (Wt. Kg)
C0200-TTC	Universal Crossover Plate for 2" to 5" OD Round Members	Each	18.1 (8.21)

## Antenna Mounts

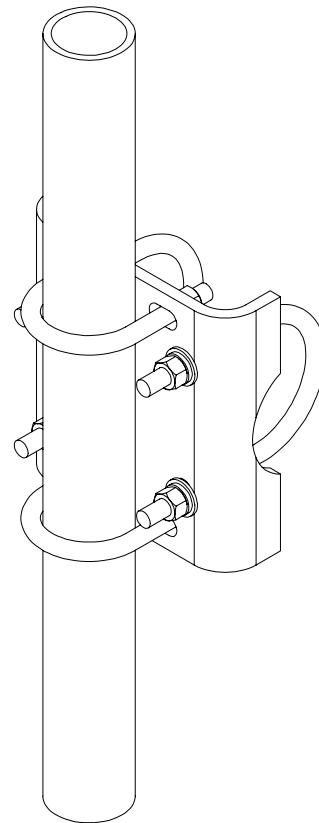
### Stiff Arm Bracket

**Application:** Antenna Mounting  
**Size:** 2-3/8" OD Pipe  
**Design:** Fabricated Steel  
**Feature:** Universal Tower Attachment  
**Mounts to:** Round and Angle Members  
**Material:** Hot-Dip Galvanized Steel  
**Includes:** Brackets and Pipe



### Pipe Mount Kits

**Application:** Antenna Mounting  
**Size:** 2-3/8" or 2-7/8" to 3-1/2" Pipe  
**Feature:** Easy Installation and Antenna Down Tilt  
**Mounts to:** 3-1/2" OD Pipe Frames  
**Material:** Hot-Dip Galvanized Steel  
**Includes:** Crossover Brackets, U-Bolts  
**Order Separately:** Plain End Pipe



Part #	Description	Kit Qty	Wt. Lbs (Wt. Kg)
SAB-TTC	Stiff Arm Bracket (No Pipe)	Each	13 (5.9)
SAB10-TTC	Stiff Arm Bracket with 2-3/8" OD x 10'6" Pipe	Each	53 (24)
SAB12-TTC	Stiff Arm Bracket with 2-3/8" OD x 12'6" Pipe	Each	60 (27.2)

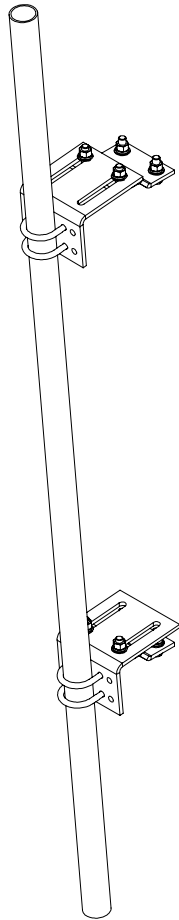
Part #	Description	Kit Qty	Wt. Lbs (Wt. Kg)
MT219H-TTC	Pipe Mount Hardware Kit for 2-3/8" to 3-1/2" OD Pipe	Each	12 (5.4)
MT219MH-TTC	Pipe Mount Kit, 2-7/8" to 3-1/2" OD Pipe	Each	12.5 (5.7)



## Antenna Mounts

### Sliding Pipe Mount Brackets

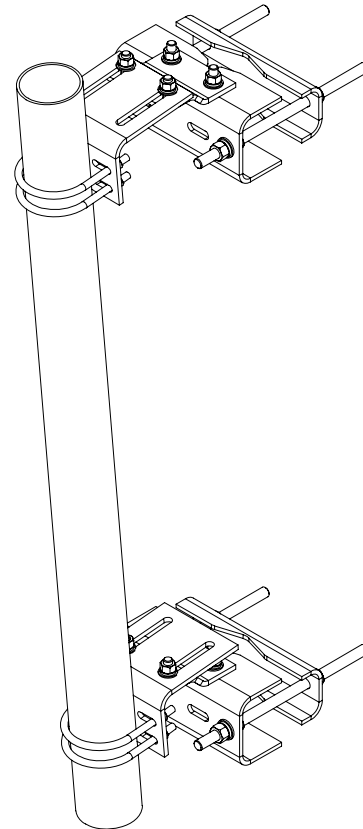
**Application:** Antenna Mounting  
**Size:** Brackets for 2-3/8" or 4-1/2" OD Pipe  
**Design:** Adjustable Sliding Clamps  
**Feature:** Up to Seven Degrees of Taper  
**Mounts to:** Saddle Mount  
**Material:** Hot-Dip Galvanized Steel  
**Includes:** Adjustable Sliding Clamps with Hardware  
**Order Separately:** Saddle Mounts and Pipe



Pipe Ordered Separately

### Sliding Pipe Mount Bracket with Saddle

**Application:** Antenna Mounting  
**Size:** Accommodates 2-3/8" or 4-1/2" OD Pipe  
**Design:** Saddle Mount with Adjustable Sliding Clamps  
**Feature:** Up to Seven Degrees of Taper  
**Mounts to:** Up to 8" OD Straight or Tapered Legs or 60°  
**Material:** Hot-Dip Galvanized Steel  
**Includes:** Saddle Mount with Adjustable Sliding Clamps  
**Order Separately:** Pipe



Pipe Ordered Separately

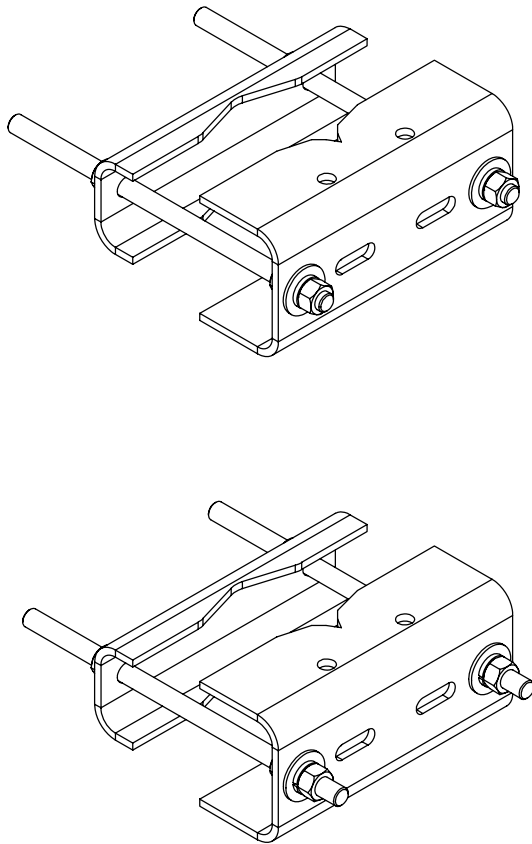
Part #	Description	Kit Qty	Wt. Lbs (Wt. Kg)
PMSL2-TTC	Universal Tapered Pipe Mount Brackets for 2-3/8" OD Pipe	Kit of 2	31 (14)
PMSL4-TTC	Universal Tapered Pipe Mount Brackets for 4-1/2" OD Pipe	Kit of 2	33 (2)

Part #	Description	Kit Qty	Wt. Lbs (Wt. Kg)
PMSU2B-TTC	Universal Sliding Pipe Mount Kit for 2-3/8" OD Pipe, Includes Saddle Mount	Kit of 2	81 (37)
PMSU4B-TTC	Universal Sliding Pipe Mount Kit for 4-1/2" OD Pipe, Includes Saddle Mount	Kit of 2	85 (39)

## Antenna Mounts

### Saddle Mounts

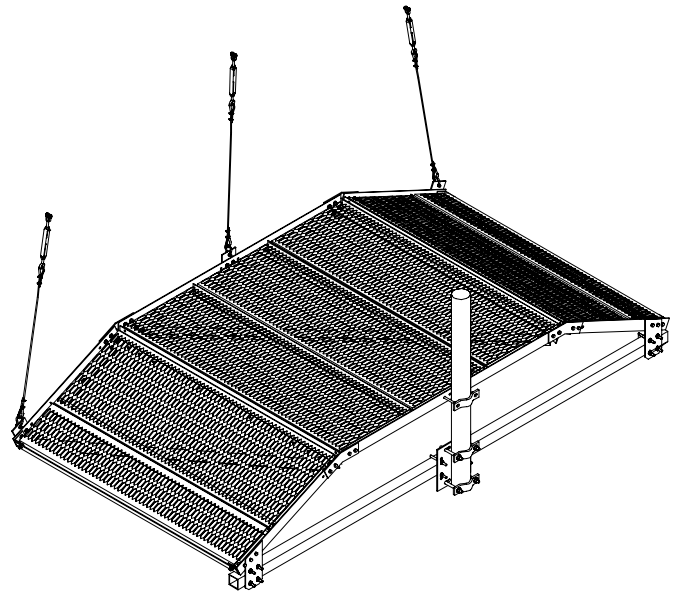
**Application:** Antenna Mounting  
**Design:** Formed Steel  
**Feature:** Accommodates 2-3/8" and 4-1/2" OD Pipe  
**Mounts to:** Tower Members  
**Material:** Hot-Dip Galvanized Steel  
**Includes:** Saddle Mount  
**Order Separately:** Antenna Mounting Pipe and U-bolts



Part #	Description	Kit Qty	Wt. Lbs (Wt. Kg)
SMU2080-TTC	Universal Saddle Mount for Straight or Tapered Legs Up to 8" or 60° Angle, 90° Angle up to 6"	Kit of 2	60 (27)

### Microwave Ice Shields

**Application:** Antenna Mounting  
**Size:** Five Versions Available (See Table)  
**Design:** Heavy Duty Microwave Dish Protection  
**Feature:** Easy Assembly Panels  
**Mounts to:** 4-1/2" to 5-1/2" OD Pipe  
**Material:** Hot-Dip Galvanized Steel  
**Includes:** All Attachment Hardware  
**Order Separately:** Pipe Mount

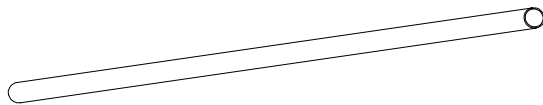


Part #	Description	Kit Qty	Wt. Lbs (Wt. Kg)
MIS4C-TTC	4' Microwave Ice Shield	Each	304 (138)
MIS6C-TTC	6' Microwave Ice Shield	Each	385 (175)
MIS8C-TTC	8' Microwave Ice Shield	Each	720 (327)
MIS10C-TTC	10' Microwave Ice Shield	Each	818 (371)
MIS12C-TTC	12' Microwave Ice Shield	Each	985 (447)

## Antenna Mounts

### 2-3/8" OD Pipe

**Size:** 2-3/8" OD Pipe  
**Design:** 0.12" Wall Thick High Strength Tube  
**Material:** Hot-Dip Galvanized Steel  
**Includes:** Pipe

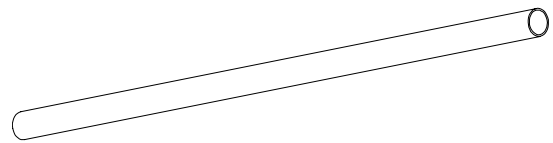


Part #	Description	Kit Qty	Wt. Lbs (Wt. Kg)
MT651-TTC	2-3/8" OD x 6' (72") Plain End Pipe	Each	29.8 (13.5)
MT65196-TTC	2-3/8" OD x 8' (96") Plain End Pipe	Each	39.7 (18)
MT537-TTC	2-3/8" OD x 10'6" (126") Plain End Pipe	Each	52.1 (23.6)
MT651150-TTC	2-3/8" OD x 12'6" (150") Plain End Pipe	Each	62.3 (28.3)

\*Additional Sizes Available Upon Request

### 3-1/2" OD Pipe

**Size:** 3-1/2" OD  
**Design:** 0.12" Wall Thick High Strength Tube  
**Material:** Hot-Dip Galvanized Steel  
**Includes:** Pipe

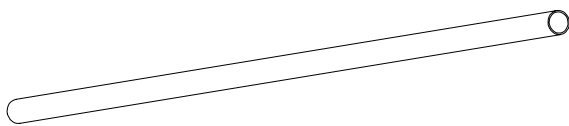


Part #	Description	Kit Qty	Wt. Lbs (Wt. Kg)
MT547126-TTC	3-1/2" x 10'6" (126") Plain End Pipe	Each	125 (56.7)
MT547160-TTC	3-1/2" x 13'4" (160") Plain End Pipe	Each	140 (63.5)

\*Additional Sizes Available Upon Request

### 2-7/8" OD Pipe

**Size:** 2-7/8" OD  
**Design:** 0.12" Wall Thick High Strength Tube  
**Material:** Hot-Dip Galvanized Steel  
**Includes:** Pipe

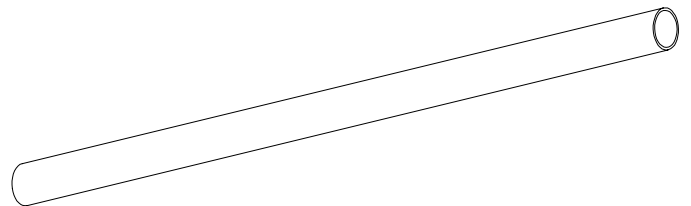


Part #	Description	Kit Qty	Wt. Lbs (Wt. Kg)
MT54696-TTC	2-7/8" OD x 8' (96") Plain End Pipe	Each	42.4 (19.2)
MT546120-TTC	2-7/8" OD x 10' (120") Plain End Pipe	Each	53 (24)
MT546126-TTC	2-7/8" OD x 10'6" (126") Plain End Pipe	Each	55.6 (25.2)

\*Additional Sizes Available Upon Request

### 4-1/2" OD Pipe

**Size:** 4-1/2" OD  
**Design:** Schedule 40  
**Material:** Hot-Dip Galvanized Steel  
**Includes:** Pipe



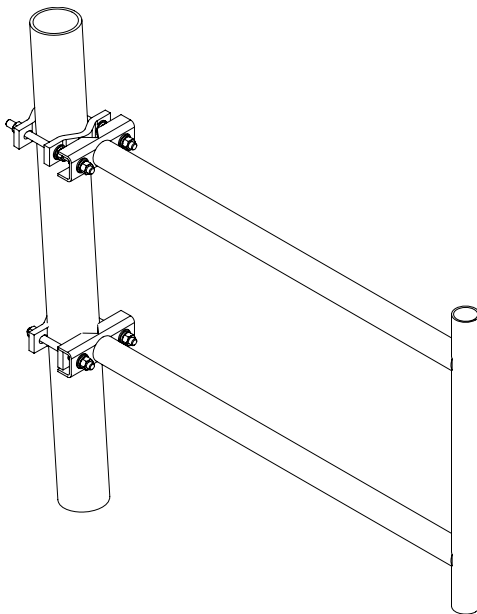
Part #	Description	Kit Qty	Wt. Lbs (Wt. Kg)
MT653-TTC	4-1/2" OD x 4' (48") Plain End Pipe	Each	45 (20)
MT65496-TTC	4-1/2" OD x 8' (96") Plain End Pipe	Each	88 (40)
MT654126-TTC	4-1/2" OD x 10'6" (126") Plain End Pipe	Each	115 (52)

\*Additional Sizes Available Upon Request

## Antenna Mounts

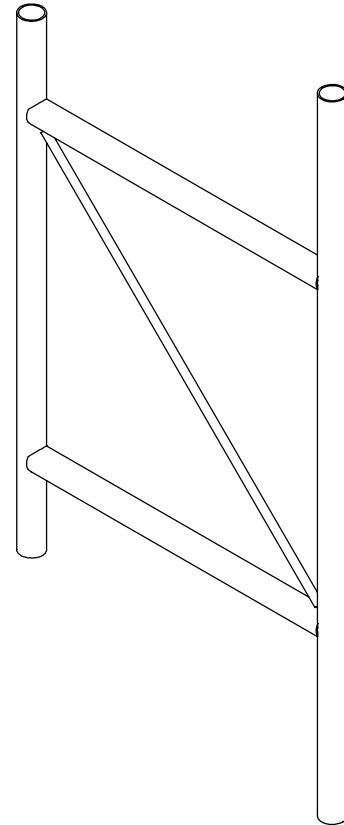
### Stand-Off Arms Light Duty

**Application:** Antenna Mounting  
**Size:** Stand-Off 24", 36" and 48"  
**Design:** Welded One Piece Stand-Off  
**Mounts to:** Straight or Tapered Legs  
**Material:** Hot-Dip Galvanized Steel  
**Includes:** Clamps to Accommodate Up to 3-1/2" and Stand-Off



### Stand-Off Arms

**Application:** Antenna Mounting  
**Size:** Welded Stand-Off 24" up to 36"  
**Design:** 2-3/8" Pipe Welded Stand-Off  
**Mounts to:** Tower Members Straight or Tapered Legs  
**Material:** Hot-Dip Galvanized Steel  
**Includes:** Stand-Off Only  
**Order Separately:** Pipe to Pipe Clamps



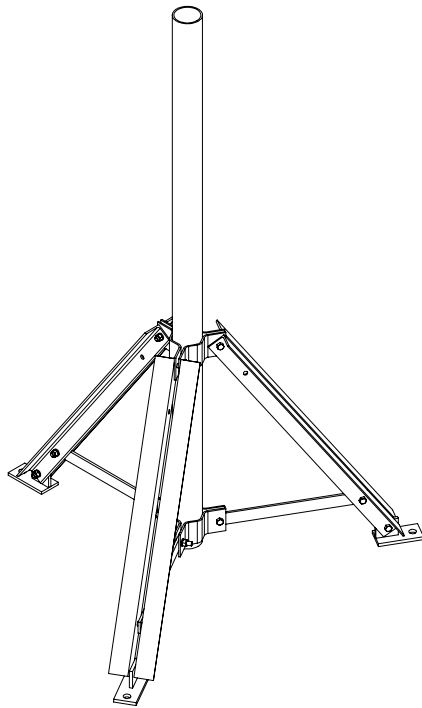
Part #	Description	Kit Qty	Wt. Lbs (Wt. Kg)
S200-TTC	24" Stand-Off Bracket with Antenna Mounting Pipe	Each	23 (10)
S300-TTC	36" Stand-Off Bracket with Antenna Mounting Pipe	Each	28 (13)
S400-TTC	48" Stand-Off Bracket with Antenna Mounting Pipe	Each	41 (19)

Part #	Description	Kit Qty	Wt. Lbs (Wt. Kg)
P200-TTC	24" Panel Antenna Stand-Off	Each	55 (25)
P300-TTC	36" Panel Antenna Stand-Off	Each	62 (28)

## Antenna Mounts

### Tripod Mounts

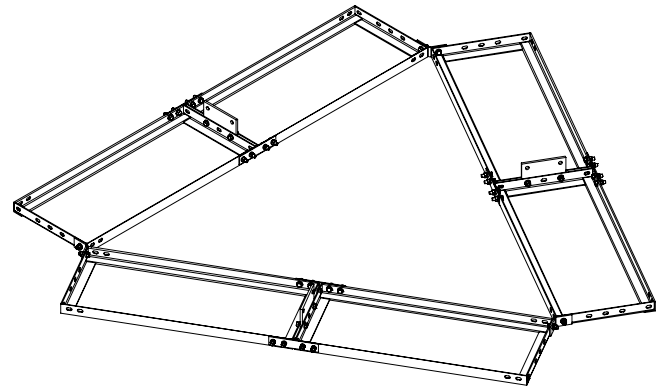
**Application:** Antenna Mounting  
**Size:** 2-3/8" and 4-1/2" OD  
**Design:** Fabricated Steel  
**Feature:** Penetrating or Non with Addition of Base Unit  
**Material:** Hot-Dip Galvanized Steel  
**Includes:** Mount With or Without Pipe  
**Order Separately:** Roof Sled, Rubber Mats



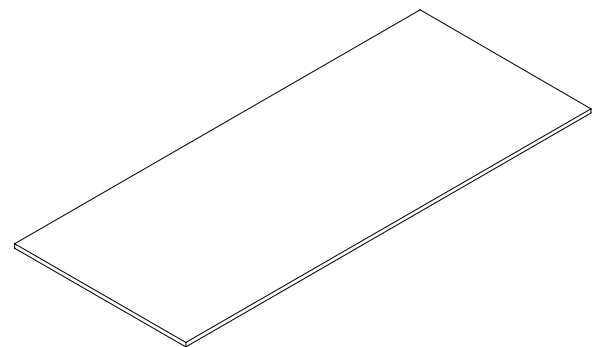
Part #	Description	Kit Qty	Wt. Lbs (Wt. Kg)
<b>2" Tripod</b>			
TPG238B-TTC	Universal Tripod Mount for 2-3/8" OD Pipe (Pipe Ordered Separately)	Each	55 (25)
TPG23896-TTC	Universal Tripod Mount, 2-3/8" OD x 96"	Each	143.1 (65)
TPG238126-TTC	Universal Tripod Mount, 2-3/8" OD x 126"	Each	152.1 (69)
<b>4" Tripod</b>			
TPG412B-TTC	Universal Tripod Mount for 4-1/2" OD Pipe (Pipe Ordered Separately)	Each	80 (36)
TPG41296-TTC	Universal Tripod Mount with 4-1/2" OD x 96"	Each	120 (54)
TPG412126-TTC	Universal Tripod Mount with 4-1/2" OD x 126"	Each	132 (60)

### Tripod Roof Sled

**Application:** Antenna Mounting  
**Size:** 87" Width  
**Design:** Fabricated Steel  
**Feature:** Non-Penetrating for Tripod Mounts  
**Material:** Hot-Dip Galvanized Steel  
**Includes:** Base/Sled Unit Only  
**Order Separately:** Tripod Mount, Rubber Mats



MT416



MTF1637

Part #	Description	Kit Qty	Wt. Lbs (Wt. Kg)
MT416-TTC	Roof Sled Non-Penetrating	Each	80 (36)
MTF1637-TTC	Rubber Mat 1/2" Thick x 18" Width x 48" Length	Each	16 (7)

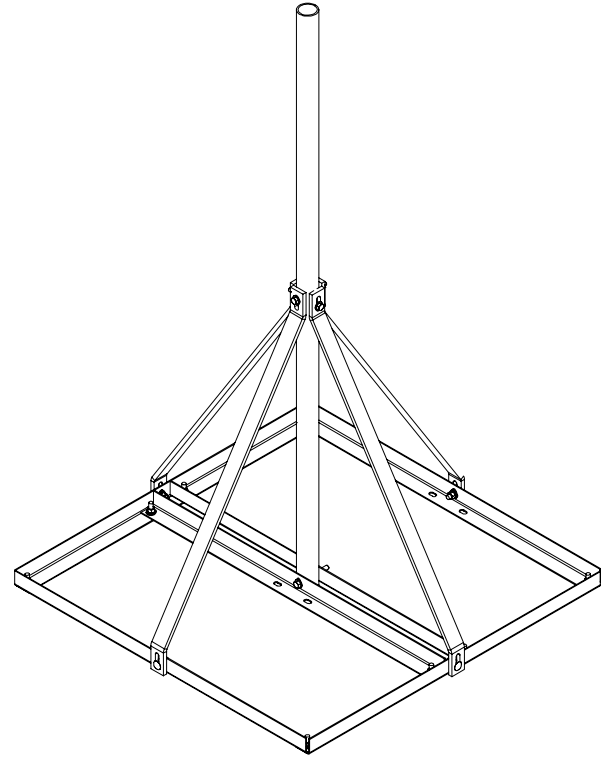
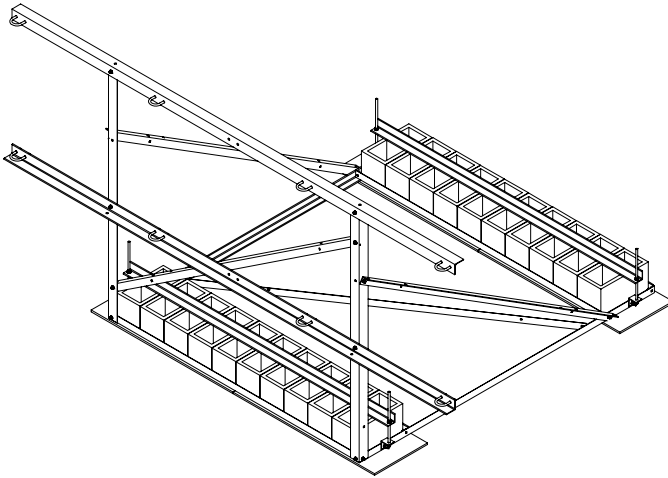
## Antenna Mounts

### Non-Penetrating Mounts

**Application:** Antenna Mounting  
**Size:** 7', 10', or 12' Face  
**Design:** Single Sector Bolt Together  
**Feature:** Complete Kit with Easy Installation  
**Material:** Hot-Dip Galvanized Steel  
**Includes:** Rubber Mats  
**Order Separately:** Antenna Mounting Pipe

### Non-Penetrating Mount

**Application:** Antenna Mounting  
**Size:** 35" Square Base  
**Design:** Non-Penetrating  
**Feature:** Complete Kit with Bolt Together Installation  
**Material:** Hot-Dip Galvanized Steel  
**Includes:** Complete Kit  
**Order Separately:** Rubber Mats



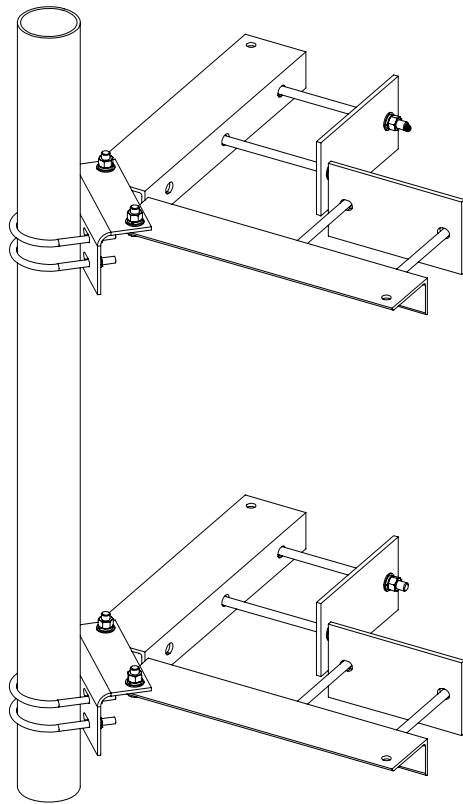
Part #	Description	Kit Qty	Wt. Lbs (Wt. Kg)
RFN7B-TTC	Single Sector, 7' Face, Non-Penetrating Roof Mount for 2-3/8" OD Antenna Mounting Pipe	Each	350 (159)
RFN10B-TTC	Single Sector, 10' Face, Non-Penetrating Roof Mount for 2-3/8" OD Antenna Mounting Pipe	Each	360 (163)
RFN12B-TTC	Single Sector, 12' Face, Non-Penetrating Roof Mount for 2-3/8" OD Antenna Mounting Pipe	Each	370 (168)

Part #	Description	Kit Qty	Wt. Lbs (Wt. Kg)
RMSM19060-TTC	Non-Penetrating Roof Mount with 1.9" OD x 60" Pipe Included	Each	63 (29)

## Antenna Mounts

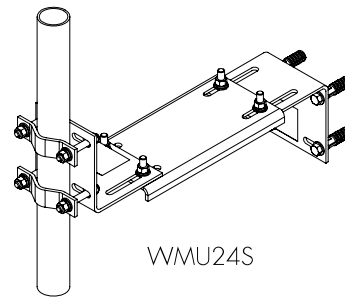
### Corner Wall Mount

**Application:** Antenna Mounting  
**Size:** 2-3/8" or 4-1/2" OD Pipe  
**Design:** Corner Mount  
**Feature:** Heavy Duty and Universal Separation  
**Mounts to:** Solid or Hollow Wall  
**Material:** Hot-Dip Galvanized Steel  
**Includes:** Two Complete Brackets, 96" Length Pipe, Mounting Hardware for Solid and Hollow Walls

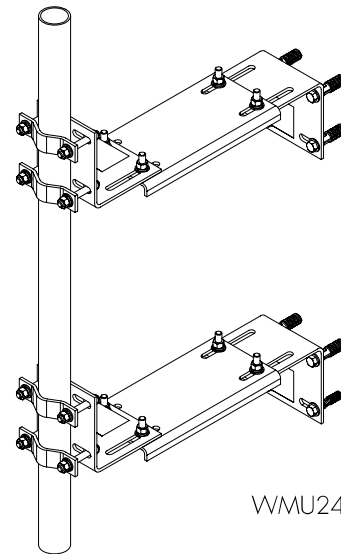


### Universal Wall Mount

**Application:** Antenna Mounting  
**Size:** 14" to 24" Stand-Off  
**Design:** Stand-Off  
**Feature:** Adjustable Standoff  
**Mounts To:** 3/4" to 2-3/8" Pipe  
**Material:** Hot-Dip Galvanized Steel  
**Includes:** Bracket With Hardware  
**Order Separately:** Mounting Pipe



WMU24S

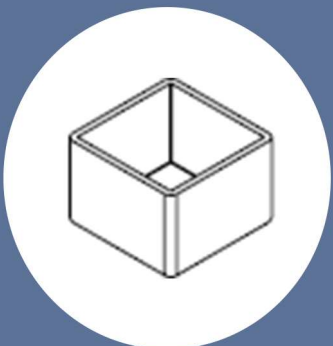
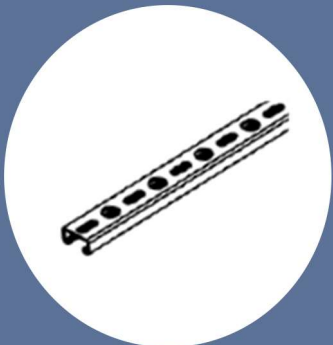
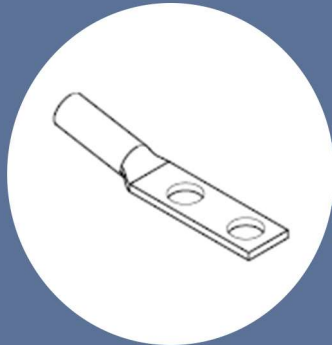


WMU24SHD

Part #	Description	Kit Qty	Wt. Lbs (Wt. Kg)
CWM296-TTC	Corner Wall Mount with 2-3/8" x 96" Pipe	Each	135 (61)
CWM496-TTC	Corner Wall Mount with 4-1/2" x 96" Pipe	Each	190 (86.2)

Part #	Description	Kit Qty	Wt. Lbs (Wt. Kg)
WMU24S-TTC	Wall Mount, Universal Light Duty Solid Wall, 14" - 24" Stand-Off	Kit of 1	24.4 (11.1)
WMU24SHD-TTC	Wall Mount, Universal Heavy Duty Solid, 14" - 24" Stand-Off	Kit of 2	49.9 (22.6)

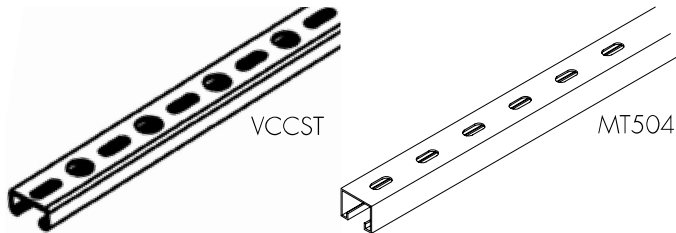
# Site Related Products





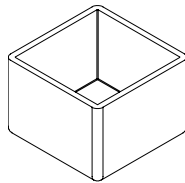
## Square Rail

**Application:** Equipment Support  
**Size:** 1-5/8" Widths  
**Design:** Slotted and Universal  
**Material:** Hot-Dip Galvanized Steel



Part #	Description	Kit Qty	Wt. Lbs (Wt. Kg)
VCCST-TTC	1-5/8" Universal Square Support Rail with 3/4" and 7/16" Holes 10' Length	Each	14 (6)
MT504-TTC	1-5/8" x 1-5/8" Slotted Square Support Rail 3" Slots 10' Length	Each	13 (6)

## Square Rail Caps



Part #	Description	Kit Qty	Wt. Lbs (Wt. Kg)
ENDCAPR78100-TTC	End Cap Red for 1-5/8" x 7/8"	Each	0.94 (0.43)
ENDCAPW78100-TTC	End Cap White for 1-5/8" x 7/8"	Each	0.94 (0.43)
ENDCAPR100-TTC	End Cap Red for 1-5/8" x 1-5/8"	Each	1.1 (0.5)
ENDCAPW100-TTC	End Cap White for 1-5/8" x 1-5/8"	Each	1.1 (0.5)

## Square Washer



Part #	Description	Kit Qty	Wt. Lbs (Wt. Kg)
MT387-TTC	1-5/8" Square Washer, 7/16" Hole	Each	0.22 (0.1)
MT388-TTC	1-5/8" Square Washer, 9/16" Hole	Each	0.22 (0.1)

## Anti-Corrosion Lubricant

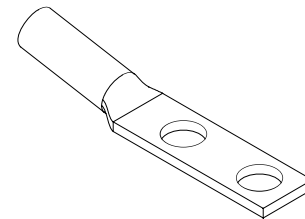
**Application:** Corrosion Prevention  
**Feature:** Low PIM  
**Includes:** 8 Oz Tin Can with Brush



Part #	Description	Kit Qty	Wt. Lbs (Wt. Kg)
NOOXCWB-TTC	Anti-Corrosion Lubricant, Tin Can with Brush, 8oz	Kit of 1	0.61 (0.279)

## Ground Lugs

**Application:** Grounding  
**Design:** UL Listed, CSA Certified  
**Material:** Seamless Copper, Electro-Tinned Plated



Part #	Description	Kit Qty
i14S-TTC	Lug, #10-14 Short Barrel with Window, #10-1H, ATT Approved	Each
i141010S-TTC	Lug, #10-14 Short Barrel with Inspection Window, #10-2H, 5/8" Spacing, ATT Approved	Each
i141014-TTC	Lug, #14-#10 Stranded with Inspection Window, 1/4"-2H, 5/8" Spacing, ATT Approved	Each
i141014U-TTC	Lug, #14-#10 Stranded with Inspection Window, 2H Universal Slotted, 1/4" and 5/8"-3/4", ATT Approved	Each
i141038-TTC	Lug, #14-#10 Stranded No Window, 1/4"-2H, 5/8" Spacing, ATT Approved	Each
Fi2214-TTC	Lug, #2 Flex with Inspection Window, 1/4" - 2H, 5/8" Spacing, ATT Approved	Each
2SBS-TTC	Lug, #2 Solid Butt Splice, ATT Approved	Each
2S214-TTC	Lug, #2 Solid No Window, 1/4"-2H, 5/8" Spacing, ATT Approved	Each
2S238U-TTC	Lug, #2 Solid No Window, 2H Universal Slotted, 3/4"-1", ATT Approved	Each
2S38-TTC	Lug, #2 Solid No Window, 3/8"-1H, ATT Approved	Each

## Ground Lugs

Part #	Description	Kit Qty
2S2381-TTC	Lug, #2 Solid No Window, 3/8"-2H, 1" Spacing, ATT Approved	Each
i2S210S-TTC	Lug, #2 Solid Short Barrel with Inspection Window, #10 - 2H, 5/8" Spacing, ATT Approved	Each
i2S238U-TTC	Lug, #2 Solid with Inspection Window, 2H Universal Slotted, 3/4" - 1" ATT Approved	Each
i2S214-TTC	Lug, #2 Solid with Inspection Window, 1/4" - 2H, 5/8" Spacing, ATT Approved	Each
i2S38-TTC	Lug, #2 Solid with Inspection Window, 3/8" - 1H, ATT Approved	Each
i2S2381-TTC	Lug, #2 Solid with Inspection Window, 3/8" - 2H, 1" Spacing, ATT Approved	Each
2BS-TTC	Lug, #2 Stranded Butt Splice, ATT Approved	Each
214-TTC	Lug, #2 Stranded No Window, 1/4"-1H, ATT Approved	Each
22251-TTC	Lug, #2 Stranded No Window, 1/4"-2H, 1" Spacing, ATT Approved	Each
2234-TTC	Lug, #2 Stranded No Window, 1/4"-2H, 3/4" Spacing, ATT Approved	Each
2214-TTC	Lug, #2 Stranded No Window, 1/4"-2H, 5/8" Spacing, ATT Approved	Each
2238U-TTC	Lug, #2 Stranded No Window, 2H Universal Slotted, 3/4"-1", ATT Approved	Each
238-TTC	Lug, #2 Stranded No Window, 3/8"-1H, ATT Approved	Each
22381-TTC	Lug, #2 Stranded No Window, 3/8"-2H, 1" Spacing, ATT Approved	Each
2516-TTC	Lug, #2 Stranded No Window, 5/16"-1H, ATT Approved	Each
2234R-TTC	Lug, #2 Stranded Right Angle No Window, 1/4"-2H, 3/4" Spacing, ATT Approved	Each
i2234R-TTC	Lug, #2 Stranded Right Angle with Inspection Window, 1/4"-2H, 3/4" Spacing, ATT Approved	Each
i2214R-TTC	Lug, #2 Stranded Right Angle with Inspection Window, 1/4"-2H, 5/8" Spacing, ATT Approved	Each
i2238U-TTC	Lug, #2 Stranded with Inspection Window, 2H Universal Slotted, 3/4"-1" ATT Approved	Each
i214-TTC	Lug, #2 Stranded with Inspection Window, 1/4"-1H, ATT Approved	Each
i222-TTC	Lug, #2 Stranded with Inspection Window, 1/4"-2H, 1" Spacing, ATT Approved	Each
i2234-TTC	Lug, #2 Stranded with Inspection Window, 1/4"-2H, 3/4" Spacing, ATT Approved	Each
i2214-TTC	Lug, #2 Stranded with Inspection Window, 1/4"-2H, 5/8" Spacing, ATT Approved	Each
i238-TTC	Lug, #2 Stranded with Inspection Window, 3/8"-1H, 3/4" ATT Approved	Each
i22381-TTC	Lug, #2 Stranded with Inspection Window, 3/8"-2H, 1" Spacing, ATT Approved	Each
i2516-TTC	Lug, #2 Stranded with Inspection Window, 5/16"-1H, 3/4" ATT Approved	Each
2214R-TTC	Lug, #2 Stranded Right Angle No Window, 1/4"-2H, 5/8" Spacing, ATT Approved	Each
i6214S-TTC	Lug, #6 AWG, 1/4" 2H, 5/8" SPA, Short Barrel with Inspection Window, Stranded Wire, Blue	Each

Part #	Description	Kit Qty
i6210S-TTC	Lug, #6 Short Barrel with Inspection Window, #10-2H, 5/8" Spacing, ATT Approved	Each
6BS-TTC	Lug, #6 Stranded Butt Splice, ATT Approved	Each
614-TTC	Lug, #6 Stranded No Window, 1/4"-1H, ATT Approved	Each
62251-TTC	Lug, #6 Stranded No Window, 1/4"-2H, 1" Spacing, ATT Approved	Each
6234-TTC	Lug, #6 Stranded No Window, 1/4"-2H, 3/4" Spacing, ATT Approved	Each
6214-TTC	Lug, #6 Stranded No Window, 1/4"-2H, 5/8" Spacing, ATT Approved	Each
6238U-TTC	Lug, #6 Stranded No Window, 2H Universal Slotted, 3/4"-1", ATT Approved	Each
638-TTC	Lug, #6 Stranded No Window, 3/8"-1H, ATT Approved	Each
62381-TTC	Lug, #6 Stranded No Window, 3/8"-2H, 1" Spacing, ATT Approved	Each
6516-TTC	Lug, #6 Stranded No Window, 5/16"-1H	Each
i614R-TTC	Lug, #6 Stranded Right Angle with Inspection Window, 1/4"-1H, ATT Approved	Each
i614-TTC	Lug, #6 Stranded with Inspection Window, 1/4" - 1H, ATT Approved	Each
i62251-TTC	Lug, #6 Stranded with Inspection Window, 1/4" - 2H, 1" Spacing, ATT Approved	Each
i62381-TTC	Lug, #6 Stranded with Inspection Window, 3/8" - 2H, 1" Spacing, ATT Approved	Each
i8210S-TTC	Lug, #8 Short Barrel with Inspection Window, #10 - 2H, 5/8" Spacing, ATT Approved	Each
8BS-TTC	Lug, #8 Stranded Butt Splice, ATT Approved	Each
8210-TTC	Lug, #8 Stranded No Window, #10 Stud-2H, 5/8" Spacing, ATT Approved	Each
814-TTC	Lug, #8 Stranded No Window, 1/4"-1H, ATT Approved	Each
82251-TTC	Lug, #8 Stranded No Window, 1/4"-2H, 1" Spacing, ATT Approved	Each
8214-TTC	Lug, #8 Stranded No Window, 1/4"-2H, 5/8" Spacing, ATT Approved	Each
8238U-TTC	Lug, #8 Stranded No Window, 2H Universal Slotted, 3/8" and 3/4"-1", ATT Approved	Each
R814-TTC	Lug, #8 Stranded Right Angle No Window, 1/4" - 1H, ATT Approved	Each
R814-TTC	Lug, #8 Stranded Right Angle with Inspection Window, 1/4" - 1H, ATT Approved	Each
i8238U-TTC	Lug, #8 Stranded with Inspection Window, 2H Universal Slotted, 3/8" and 3/4"-1", ATT Approved	Each
i8210-TTC	Lug, #8 Stranded with Inspection Window, #10 - 2H, 5/8" Spacing, ATT Approved	Each
i814-TTC	Lug, #8 Stranded with Inspection Window, 1/4" - 1H, ATT Approved	Each
i82251-TTC	Lug, #8 Stranded with Inspection Window, 1/4" - 2H, 1" Spacing, ATT Approved	Each
i8214-TTC	Lug, #8 Stranded with Inspection Window, 1/4" - 2H, 5/8" Spacing, ATT Approved	Each
i40238-TTC	Lug, #4 Stranded with Inspection Window, 3/8" - 2H, 1" Spacing, ATT Approved	Each

## A325 Bolts (Nut and Washer Sold Separately)

Part #	Description	Kit Qty
GB0414A01-TTC	1/2" x 1-1/2" A325 Bolt	Each
GB0420A01-TTC	1/2" x 2" A325 Bolt	Each
GB0424A01-TTC	1/2" x 2-1/2" A325 Bolt	Each
GB0430A01-TTC	1/2" x 3" A325 Bolt	Each
GB0434A01-TTC	1/2" x 3-1/2" A325 Bolt	Each
GB0514A01-TTC	5/8" x 1-1/2" A325 Bolt	Each
GB0520A01-TTC	5/8" x 2" A325 Bolt	Each
GB0524A01-TTC	5/8" x 2-1/2" A325 Bolt	Each
GB0530A01-TTC	5/8" x 3" A325 Bolt	Each
GB0534A01-TTC	5/8" x 3-1/2" A325 Bolt	Each
GB0620A01-TTC	3/4" x 2" A325 Bolt	Each
GB0624A01-TTC	3/4" x 2-1/2" A325 Bolt	Each
GB0630A01-TTC	3/4" x 3" A325 Bolt	Each
GB0634A01-TTC	3/4" x 3-1/2" A325 Bolt	Each
GB0640A01-TTC	3/4" x 4" A325 Bolt	Each
GB0644A01-TTC	3/4" x 4-1/2" A325 Bolt	Each

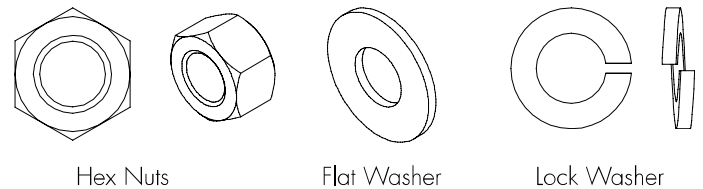
## Threaded Rod

Part #	Description	Kit Qty
GDO32400-TTC	3/8"-16 UNC x 24" Galv. Threaded Rod (A307)	Each
GDO41200-TTC	1/2"-13 UNC x 12" Galv. Threaded Rod (A307)	Each
GDO42400-TTC	1/2"-13 UNC x 24" Galv. Threaded Rod (A307)	Each
GDO51400-TTC	5/8"-11 UNC x 14" Galv. Threaded Rod (A449)	Each
GDO51800-TTC	5/8"-11 UNC x 18" Galv. Threaded Rod (A449)	Each
GDO52400-TTC	5/8"-11 UNC x 24" Galv. Threaded Rod (A449)	Each
GDO61200B7-TTC	3/4"-10 UNC x 12" Galv. Threaded Rod (B7)	Each
GDO61600B7-TTC	3/4"-10 UNC x 16" Galv. Threaded Rod (B7)	Each
GDO62400B7-TTC	3/4"-10 UNC x 24" Galv. Threaded Rod (B7)	Each

## Wedge Anchors

Part #	Description	Kit Qty
MT271-TTC	1/2" x 3-3/4" Wedge Anchor	Each
MT280-TTC	5/8" x 6" Wedge Anchor	Each
MT287-TTC	3/4" x 7" Wedge Anchor	Each

## Hex Nuts, Flat Washers and Lock Washers

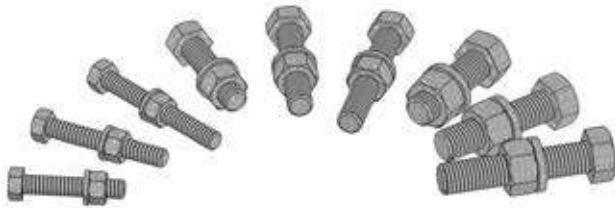


Part #	Description	Kit Qty
GN03-TTC	3/8" SAE J995 Grade 5 Hex Nut	Each
GN04-TTC	1/2" SAE J995 Grade 5 Hex Nut	Each
GN04A-TTC	1/2" Galv. Heavy Hex Nut ASTM A194 Grade-2H or ASTM A563 Grade-DH	Each
GN05-TTC	5/8" SAE J995 Grade 5 Hex Nut	Each
GN0A-TTC	5/8" Galv. Heavy Hex Nut ASTM A194 Grade-2H or ASTM A563 Grade-DH	Each
GN06-TTC	3/4" SAE J995 Grade 5 Hex Nut	Each
GN06A-TTC	3/4" Galv. Heavy Hex Nut ASTM A194 Grade-2H or ASTM A563 Grade-DH	Each
GNTT7-TTC	7/8" SAE J995 Grade 5 Hex Nut	Each
GN07A-TTC	7/8" Galv. Heavy Hex Nut ASTM A194 Grade-2H or ASTM A563 Grade-DH	Each

Part #	Description	Kit Qty
GWFO3-TTC	3/8" Galv. Flat Washer, USS	Each
GWFO7-TTC	7/16" Galv. Flat Washer, USS	Each
GWFO4-TTC	1/2" Galv. Flat Washer, USS	Each
GWFO9-TTC	9/16" Galv. Flat Washer, USS	Each
GWFO5-TTC	5/8" Galv. Flat Washer, USS	Each
GWFO6-TTC	3/4" Galv. Flat Washer, USS	Each
GWFO7-TTC	7/8" Galv. Flat Washer, USS	Each

Part #	Description	Kit Qty
GWL03-TTC	3/8" Galv. Lock Washer	Each
GWL716-TTC	7/16" Galv. Lock Washer	Each
GWL04-TTC	1/2" Galv. Lock Washer	Each
GWL916-TTC	9/16" Galv. Lock Washer	Each
GWL05-TTC	5/8" Galv. Lock Washer	Each
GWL06-TTC	3/4" Galv. Lock Washer	Each
GWL07-TTC	7/8" Galv. Lock Washer	Each

## Grade 5 Bolt Assemblies (With Lock Washer and Nut)



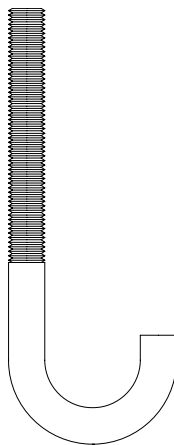
Part #	Description	Kit Qty	Wt. Lbs (Wt. Kg)
GB03105-TTC	3/8" x 1" Grade 5 Bolt Assembly	Kit of 1	0.2
GB03145-TTC	3/8" x 1-1/2" Grade 5 Bolt Assembly	Kit of 1	0.22
GB03205-TTC	3/8" x 2" Grade 5 Bolt Assembly	Kit of 1	0.24
GB03245-TTC	3/8" x 2-1/2" Grade 5 Bolt Assembly	Kit of 1	0.26
GB03305-TTC	3/8" x 3" Grade 5 Bolt Assembly	Kit of 1	0.28
GB04105-TTC	1/2" x 1" Grade 5 Bolt Assembly	Kit of 1	0.35
GB04145-TTC	1/2" x 1-1/2" Grade 5 Bolt Assembly	Kit of 1	0.38
GB04205-TTC	1/2" x 2" Grade 5 Bolt Assembly	Kit of 1	0.4
GB04245-TTC	1/2" x 2-1/2" Grade 5 Bolt Assembly	Kit of 1	0.42
GB04305-TTC	1/2" x 3" Grade 5 Bolt Assembly	Kit of 1	0.45
GB04345-TTC	1/2" x 3-1/2" Grade 5 Bolt Assembly	Kit of 1	0.48

## U-Bolt Assemblies (With Nuts, Lock and Flat Washers)



Part #	Description	Kit Qty	Wt. Lbs (Wt. Kg)
GUB3244-TTC	3/8" x 2-1/2" x 4" x 2" Galv. U-Bolt Kit	Kit of 1	0.32 (0.14)
GUB3355-TTC	3/8" x 3-5/8" x 5-1/4" x 2-11/16" Galv. U-Bolt Kit	Kit of 1	0.37 (0.17)
GUB4240-TTC	1/2" x 2-1/2" x 4" x 1-3/4" Galv. U-Bolt Kit	Kit of 1	0.63 (0.28)
GUB4352-TTC	1/2" x 3" x 5-1/4" x 2-3/4" Galv. U-Bolt Kit	Kit of 1	0.73 (0.33)
GUB4355-TTC	1/2" x 3-5/8" x 5" x 2-3/16" Galv. U-Bolt Kit	Kit of 1	0.74 (0.34)
GUB4356-TTC	1/2" x 3-5/8" x 6" x 3-13/64" Galv. U-Bolt Kit	Kit of 1	0.83 (0.38)
GUB4456-TTC	1/2" x 4-5/8" x 6-1/2" x 3-13/64" Galv. U-Bolt Kit	Kit of 1	0.88 (0.4)
GUB5456-TTC	5/8" x 4-5/8" x 6-1/2" x 2-15/16" Galv. U-Bolt Kit	Kit of 1	1.52 (0.69)

## J-Bolts



Part #	Description	Kit Qty	Wt. Lbs (Wt. Kg)
GJB0380-TTC	3/8" x 8-1/4" Galv. J-Bolt, Full Thread	Each	0.33

<b>NUMERIC</b>		<b>BC cont.</b>		<b>BH cont.</b>		<b>CL cont.</b>	
214-TTC	55	BC10232158-TTC	7	BH78NH-TTC	10	CMTB-TTC	17
238-TTC	55	BC1028158-TTC	7	BH85NH-TTC	11	CMTBR-TTC	17
614-TTC	55	BC124-TTC	7	BNDA1250-TTC	14	CMTG-TTC	17
638-TTC	55	BC134158-TTC	7	BNDLH-100-TTC	14	CMTGR-TTC	17
814-TTC	55	BC138158-TTC	7	BNDLH-25-TTC	14	CMTO-TTC	17
2214-TTC	55	BC1410-TTC	7	<b>C</b>		CMTR-TTC	17
2234-TTC	55	BC14381258-TTC	7	CB114H-TTC	5	CMTV-TTC	17
2516-TTC	55	BC1439163-TTC	7	CB12H-TTC	5	CMTW-TTC	17
6214-TTC	55	BC144122-TTC	7	CB158H-TTC	5	CMTY-TTC	17
6234-TTC	55	BC144384-TTC	7	CB78H-TTC	5	CO200-TTC	44
6516-TTC	55	BC144582-TTC	7	CBA114-TTC	4	CP12-TTC	21
8210-TTC	55	BC2010-TTC	42	CBA12-TTC	4	CP38-TTC	21
8214-TTC	55	BC2431-TTC	8	CBA14-TTC	4	CP58-TTC	21
22251-TTC	55	BC2478-TTC	7	CBA158-TTC	4	CP78-TTC	21
22381-TTC	55	BC3010-TTC	42	CBA38-TTC	4	CSBL-TTC	36
62251-TTC	55	BC3514-TTC	42	CBA4-TTC	4	CSU12114-TTC	18
62381-TTC	55	BC3819163-TTC	7	CBA58-TTC	4	CSU1212-TTC	18
82251-TTC	55	BC384122-TTC	7	CBA78-TTC	4	CSU12158-TTC	18
2214R-TTC	55	BC384582-TTC	7	CBAH114-TTC	4	CSU12214-TTC	18
2234R-TTC	55	BC387-TTC	7	CBAH12-TTC	4	CSU1258-TTC	18
2238U-TTC	55	BC4016-TTC	42	CBAH14-TTC	4	CSU1278-TTC	18
2BS-TTC	55	BC567121530-TTC	7	CBAH158-TTC	4	CTP4-TTC	38
2S214-TTC	54	BC582-TTC	7	CBAH38-TTC	4	CWM296-TTC	52
2S2381-TTC	55	BC6810121425-TTC	7	CBAH58-TTC	4	CWM496-TTC	52
2S238U-TTC	54	BCE1051-TTC	8	CBAH78-TTC	4	<b>D</b>	
2S38-TTC	54	BCE151-TTC	8	CIN1278-TTC	8	DCP10-TTC	42
2SBS-TTC	54	BCE2202-TTC	8	CIN14114-TTC	8	<b>E</b>	
6238U-TTC	55	BCE601-TTC	8	CIN1478-TTC	8	ENDCAPR100-TTC	54
6BS-TTC	55	BCE631-TTC	8	CIN17114-TTC	8	ENDCAPR78100-TTC	54
8238U-TTC	55	BCE771-TTC	8	CIN22114-TTC	8	ENDCAPW100-TTC	54
8BS-TTC	55	BCE902-TTC	8	CIN28114-TTC	8	ENDCAPW78100-TTC	54
<b>A</b>		BCU114-TTC	6	CIN33114-TTC	8	EP1033-TTC	19
AAGL-TTC	12	BCU12-TTC	6	CIN38114-TTC	8	EP1113-TTC	20
AAGU-TTC	12	BCU158-TTC	6	CIN3812-TTC	8	EP1118-TTC	19
AAGUS-TTC	12	BCU158M7-TTC	6	CIN3878-TTC	8	EP1191-TTC	20
AASL-TTC	12	BCU214-TTC	6	CIN536478-TTC	8	EP1199-TTC	19
AAU-TTC	12	BCU78-TTC	6	CIN58114-TTC	8	EP1333-TTC	19
AAUS-TTC	12	BH114NH-TTC	10	CINE040612-TTC	8	EP1336-TTC	19
ACP10-TTC	42	BH127NH-TTC	11	CINE040638-TTC	8	EP1340-TTC	19
ACSD24-TTC	36	BH12NH-TTC	10	CLO610U-TTC	37	EP1447-TTC	19
ARA22-TTC	11	BH158NH-TTC	10	CLO610UHK-TTC	37	EP1448-TTC	19
ATK306U-TTC	30	BH180NH-TTC	11	CLO620U-TTC	37	EP1449-TTC	19
<b>B</b>		BH214NH-TTC	10	CLO620UHK-TTC	37	EP1477-TTC	19
BA400-TTC	21	BH43NH-TTC	11	CLO910U-TTC	37	EP1635-TTC	19
BA500-TTC	21	BH52NH-TTC	11	CLO910UHK-TTC	37	EP1861-TTC	19
BC053383-TTC	7	BH58NH-TTC	10	CLO920U-TTC	37	EP220-TTC	19
BC064124-TTC	7	BH63NH-TTC	11	CLO920UHK-TTC	37	EP549-TTC	20
BC10202158-TTC	7	BH64NH-TTC	11	CL1001-TTC	37	EP550-TTC	20
BC1023158-TTC	7	BH77NH-TTC	11	CL2001-TTC	37	EP551-TTC	20

<b>EP cont.</b>		<b>GB cont.</b>		<b>GK cont.</b>		<b>HG cont.</b>	
EP552-TTC	20	GB0620A01-TTC	56	GKS52-TTC	24	HGC14P-TTC	17
EP553-TTC	20	GB0624A01-TTC	56	GKS58-TTC	24	HGC158-TTC	16
EP575-TTC	19	GB0630A01-TTC	56	GKS58T-TTC	24	HGC214-TTC	16
EP576-TTC	19	GB0634A01-TTC	56	GKS63-TTC	24	HGC38-TTC	16
<b>F</b>		GB0640A01-TTC	56	GKS64-TTC	24	HGC58-TTC	16
Fi2214-TTC	54	GB0644A01-TTC	56	GKS77-TTC	24	HGC78-TTC	16
<b>G</b>		GBHKDPU-TTC	31	GKS78-TTC	24	HGO114-TTC	16
GB0210NH-TTC	26	GBHKIT-TTC	31	GKS78T-TTC	24	HGO12-TTC	16
GB0210TNH-TTC	26	GBHKU-TTC	31	GKS85-TTC	24	HGO12P-TTC	17
GB0212NH-TTC	26	GD032400-TTC	56	GPU2H5UT-TTC	25	HGO14-TTC	16
GB0212TNH-TTC	26	GD041200-TTC	56	GN03-TTC	56	HGO158-TTC	16
GB0214NH-TTC	27	GD042400-TTC	56	GN04-TTC	56	HGO214-TTC	16
GB0214TNH-TTC	27	GD051400-TTC	56	GN04A-TTC	56	HGO38-TTC	16
GB02512NH-TTC	27	GD051800-TTC	56	GN05-TTC	56	HGO58-TTC	16
GB02512TNH-TTC	27	GD052400-TTC	56	GN05A-TTC	56	HGO78-TTC	16
GB02519NH-TTC	28	GD061200B7-TTC	56	GN06-TTC	56	HK10010-TTC	11
GB02519TNH-TTC	28	GD061600B7-TTC	56	GN06A-TTC	56	HK3410-TTC	11
GB03105-TTC	57	GD062400B7-TTC	56	GN07-TTC	56	HKDSCB-TTC	5
GB03145-TTC	57	GJB0380-TTC	57	GN07A-TTC	56	HKDSCB158-TTC	5
GB03205-TTC	57	GKC114-TTC	25	GUB3244-TTC	57	HKSSCB-TTC	5
GB03245-TTC	57	GKC114T-TTC	25	GUB3355-TTC	57	HKSSCB158-TTC	5
GB03305-TTC	57	GKC12-TTC	25	GUB4240-TTC	57	HKTSCB-TTC	5
GB04105-TTC	57	GKC12T-TTC	25	GUB4352-TTC	57	HKTSCB158-TTC	5
GB0412NH-TTC	28	GKC158-TTC	25	GUB4355-TTC	57	<b>I</b>	
GB0412TNH-TTC	28	GKC158T-TTC	25	GUB4356-TTC	57	i141010S-TTC	54
GB04145-TTC	57	GKC214-TTC	25	GUB4456-TTC	57	i141014-TTC	54
GB0414A01-TTC	56	GKC214T-TTC	25	GUB5456-TTC	57	i141014U-TTC	54
GB0414NH-TTC	29	GKC58-TTC	25	GWF03-TTC	56	i1410381-TTC	54
GB0414TNH-TTC	29	GKC58T-TTC	25	GWF04-TTC	56	i14S-TTC	54
GB04205-TTC	57	GKC78-TTC	25	GWF05-TTC	56	i214-TTC	55
GB0420A01-TTC	56	GKC78T-TTC	25	GWF06-TTC	56	i2214-TTC	55
GB0420NH-TTC	29	GKS114-TTC	24	GWF07-TTC	56	i2214R-TTC	55
GB0420TNH-TTC	29	GKS114T-TTC	24	GWF716-TTC	56	i22251-TTC	55
GB04245-TTC	57	GKS12-TTC	24	GWF916-TTC	56	i2234-TTC	55
GB0424A01-TTC	56	GKS127-TTC	24	GWL03-TTC	56	i2234R-TTC	55
GB0424NH-TTC	30	GKS12T-TTC	24	GWL04-TTC	56	i22381-TTC	55
GB0424TNH-TTC	30	GKS132-TTC	24	GWL05-TTC	56	i2238U-TTC	55
GB04305-TTC	57	GKS158-TTC	24	GWL06-TTC	56	i238-TTC	55
GB0430A01-TTC	56	GKS158T-TTC	24	GWL07-TTC	56	i2516-TTC	55
GB04345-TTC	57	GKS180-TTC	24	GWL716-TTC	56	i2S210S-TTC	55
GB0434A01-TTC	56	GKS214-TTC	24	GWL916-TTC	56	i2S214-TTC	55
GB0514A01-TTC	56	GKS214T-TTC	24	<b>H</b>		i2S2381-TTC	55
GB0520A01-TTC	56	GKS37-TTC	24	HGC114-TTC	16	i2S238U-TTC	55
GB0524A01-TTC	56	GKS38-TTC	24	HGC12-TTC	16	i2S38-TTC	55
GB0530A01-TTC	56	GKS43-TTC	24	HGC12P-TTC	17	i40238-TTC	55
GB0534A01-TTC	56	GKS46-TTC	24	HGC14-TTC	16	i614-TTC	55

## I cont.

i614r-TTC	55
i6210S-TTC	55
i6214S-TTC	55
i62251-TTC	55
i62381-TTC	55
i814-TTC	55
i8210-TTC	55
i8210S-TTC	55
i8214-TTC	55
i82251-TTC	55
i8238U-TTC	55

## M

MF126-TTC	41
MF130-TTC	41
MIS10C-TTC	47
MIS12C-TTC	47
MIS4C-TTC	47
MIS6C-TTC	47
MIS8C-TTC	47
MT219H-TTC	45
MT219MH-TTC	45
MT-271-TTC	56
MT-280-TTC	56
MT-287-TTC	56
MT387-TTC	54
MT388-TTC	54
MT416-TTC	50
MT504-TTC	54
MT537-TTC	48
MT546120-TTC	48
MT546126-TTC	48
MT54696-TTC	48
MT547126-TTC	48
MT547160-TTC	48
MT651-TTC	48
MT651150-TTC	48
MT65196-TTC	48
MT653-TTC	48
MT654126-TTC	48
MT65496-TTC	48
MTF1573-TTC	38
MTF1574-TTC	38
MTF1598-TTC	38
MTF1599-TTC	38
MTF1637-TTC	50

## N

NOOXCWB-TTC	54
-------------	----

## P

P200-TTC	49
----------	----

## P cont.

P300-TTC	49
PBAB143-TTC	34
PBAB144-TTC	34
PBAB14K01-TTC	34
PBAB14K10-TTC	34
PBCBA-TTC	5
PBPM09-TTC	35
PBPM09K10-TTC	35
PC034-TTC	41
PCC4-TTC	43
PMSL2-TTC	46
PMSL4-TTC	46
PMSU2B-TTC	46
PMSU4B-TTC	46
PT1025-TTC	17
PT2525-TTC	17

## R

R814-TTC	55
R814I-TTC	55
RFN10B-TTC	51
RFN12B-TTC	51
RFN7B-TTC	51
RMA100-TTC	15
RMA100P-TTC	15
RMA200-TTC	15
RMA200P-TTC	15
RMA300-TTC	15
RMA300P-TTC	15
RMA400-TTC	15
RMA400P-TTC	15
RMA500-TTC	15
RMA500P-TTC	15
RMA600-TTC	15
RMA800-TTC	15
RMSM19060-TTC	51
RMUSBG-TTC	36
RRUDPM-TTC	33
RRUDSM-TTC	33
RRUMBL-TTC	33
RRUMBL3-TTC	33
RTCB4D-TTC	38
RTCB8D-TTC	38

## S

S200-TTC	49
S300-TTC	49
S400-TTC	49
SA1C-TTC	1
SA1TR-TTC	1

## SA cont.

SA3C-TTC	2
SA38-TTC	12
SA38S-TTC	13
SA38S100-TTC	13
SA38S200-TTC	13
SA38S300-TTC	13
SA38S400-TTC	13
SA38S500-TTC	13
SA38UMP-TTC	2
SA38UP-TTC	2
SAB-TTC	45
SAB10-TTC	45
SAB12-TTC	45
SAISO-TTC	1
SASS-TTC	13
SASS100-TTC	13
SASS200-TTC	13
SASS300-TTC	13
SASS400-TTC	13
SASS500-TTC	13
SAT1515-TTC	17
SAUH-TTC	13
SBSTB1515-TTC	18
SBSTB215-TTC	18
SC1141-TTC	22
SC121-TTC	22
SC122-TTC	22
SC123-TTC	22
SC124-TTC	22
SC125-TTC	22
SC1271-TTC	23
SC12F1-TTC	22
SC12F2-TTC	22
SC12F3-TTC	22
SC12F4-TTC	22
SC1501-TTC	23
SC1581-TTC	22
SC1801-TTC	23
SC2141-TTC	22
SC2201-TTC	23
SC371-TTC	23
SC381-TTC	22
SC383-TTC	22
SC389-TTC	22
SC461-TTC	23
SC521-TTC	23
SC581-TTC	22
SC582-TTC	22
SC583-TTC	22

## SC cont.

SC584-TTC	22
SC631-TTC	23
SC632-TTC	23
SC771-TTC	23
SC781-TTC	22
SC782-TTC	22
SC783-TTC	22
SC784-TTC	22
SC851-TTC	23
SC901-TTC	23
SC902-TTC	23
SCB-TTC	22
SCP10-TTC	42
SCRG2136-TTC	22
SCRG86-TTC	22
SHS114-TTC	9
SHS12-TTC	9
SHS158-TTC	9
SHS78-TTC	9
SHU114-TTC	10
SHU12-TTC	10
SHU158-TTC	10
SHU214-TTC	10
SHU58-TTC	10
SHU78-TTC	10
SMU2080-TTC	47
SSH1014-TTC	1
SSH1416-TTC	1
SSH47-TTC	1
SSH710-TTC	1
SSHL-TTC	9
SSHM-TTC	9
SSHXL-TTC	9
SSTB2550-TTC	36
SSTB6080-TTC	36
SWH20010-TTC	3
SWH200100-TTC	3

## T

TPG238126-TTC	50
TPG23896-TTC	50
TPG238B-TTC	50
TPG412126-TTC	50
TPG41296-TTC	50
TPG412B-TTC	50
TWAG16-TTC	14
TWAG27-TTC	14
TWITXR-TTC	14

## U

UA3-TTC	12
---------	----

---

**UA cont.**

UA3CP-TTC	.....	3
UA3CVG-TTC	.....	12
UA3G-TTC	.....	12

**V**

VCCST-TTC	.....	54
-----------	-------	----

**W**

WBBS-TTC	.....	41
WBCS243-TTC	.....	40
WBCY110-TTC	.....	40
WBCY210-TTC	.....	40
WBK110B-TTC	.....	39
WBK110S-TTC	.....	39
WBK210B-TTC	.....	39
WBK210S-TTC	.....	39
WBLB123-TTC	.....	40
WBLB243-TTC	.....	40
WBT123-TTC	.....	41
WBT243-TTC	.....	41
WMU24S-TTC	.....	52
WMU24SHD-TTC	.....	52
WSKU-TTC	.....	18
WSSACK-TTC	.....	17

**X**

XA2020-TTC	.....	43
XA2030-TTC	.....	43
XP2020-TTC	.....	44
XP2025-TTC	.....	44
XP2030-TTC	.....	44
XP2040-TTC	.....	44
XP2525-TTC	.....	44
XP2530-TTC	.....	44
XP3030-TTC	.....	44

---





Creating Tomorrow's Solutions. Today.

Teltech Group 3211 Internet Blvd. Suite 300 Frisco, TX 75034 [teltech.com](http://teltech.com)